

# MTV22

## ROUND THERMOSTATIC MIXER 2-way



# meir®

MATTE BLACK  
MTV22

CHROME  
MTV22-C

CHAMPAGNE  
MTV22-CH

TIGER  
BRONZE  
MTV22-BB

AVAILABLE  
FINISH

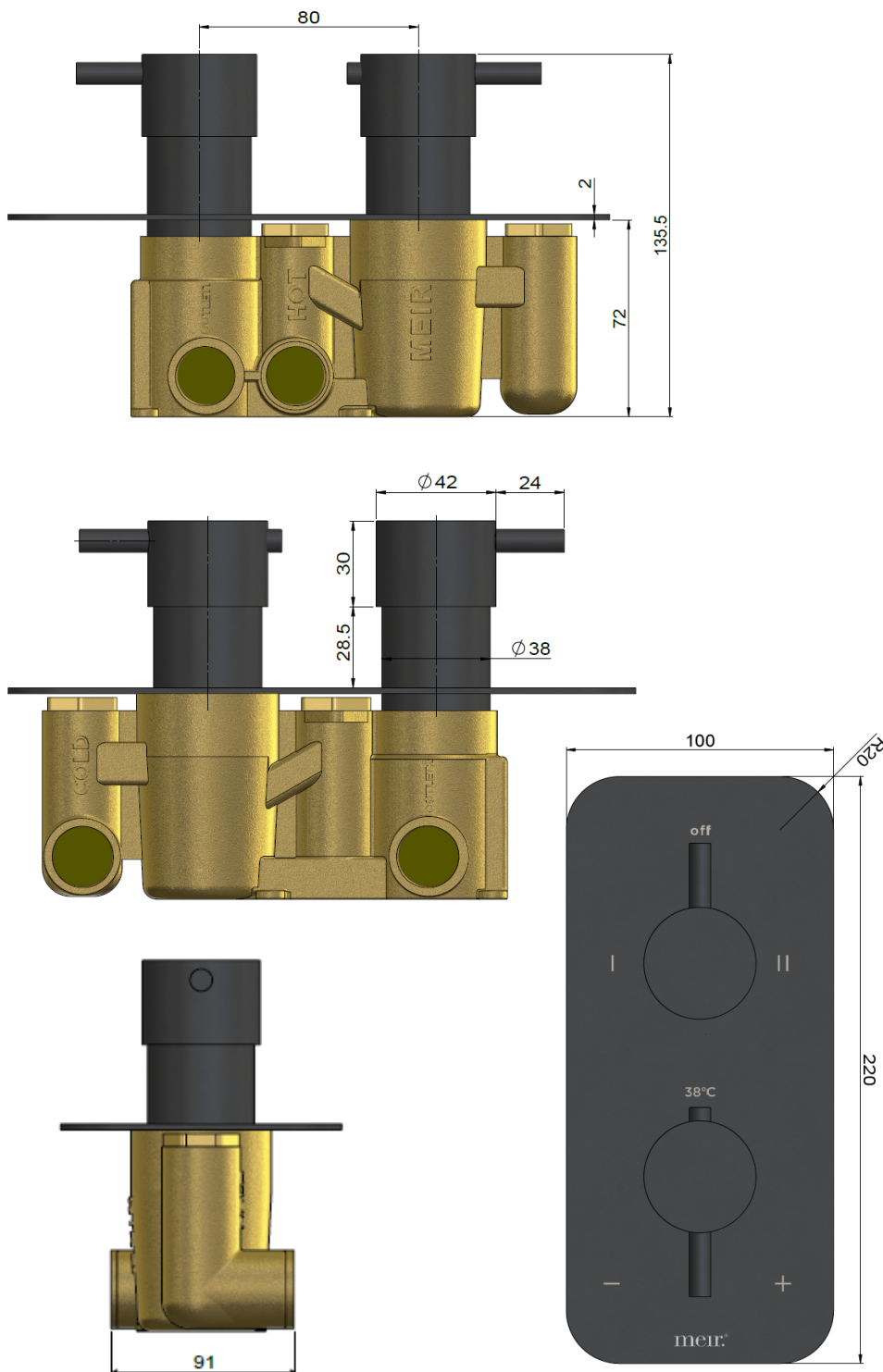
### FEATURES

- 10 Year Warranty
- Flow rate 30L p/m
- Vernet thermostatic cartridge
- Anti-scalding protection
- Temperature over-ride button
- 1-Way Fluhs diverter
- High low-pressure flow rate
- Solid Brass Construction

### CARE

- Do not install tapware using any form of acetone silicones.
- Do not apply physical items (such as tools) directly to product.
- Never use house-hold or commercial detergents, citrus based cleaners, or abrasive cleaners.
- Clean using a mild washing soap solution rinsed, and dry with a soft cloth.
- Check for any product defects before installation.
- Refer to the installation manual for correct installation.

### SPECIFICATIONS

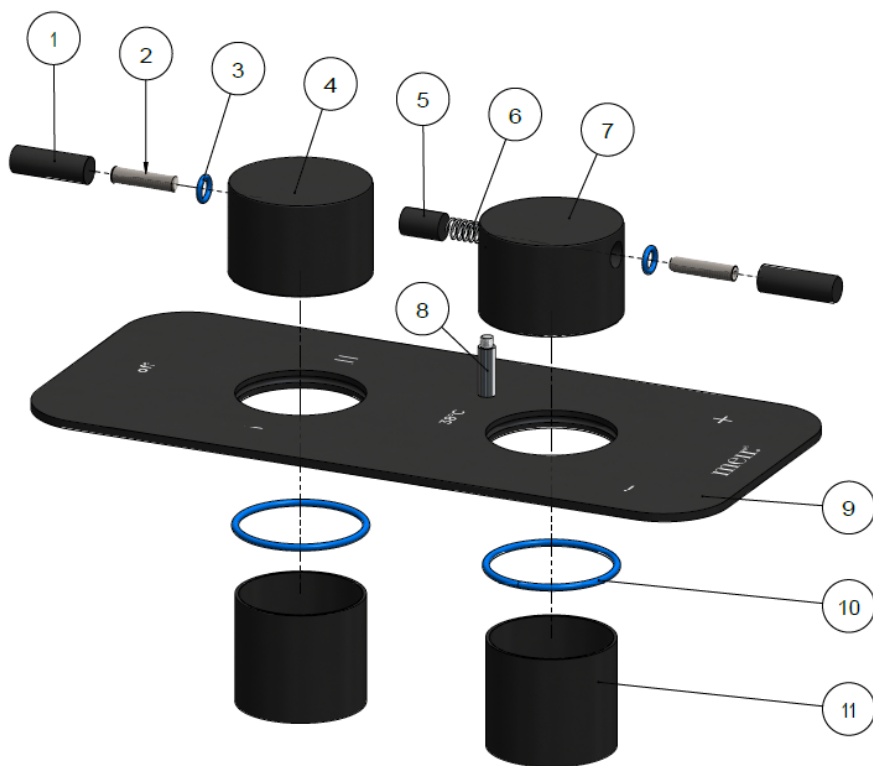


Australian installers to visit the below website before working on the thermostatic mixer valve:  
<https://www.vba.vic.gov.au/plumbing/registrations-licences/thermostatic-mixing-valve>

# MTV22

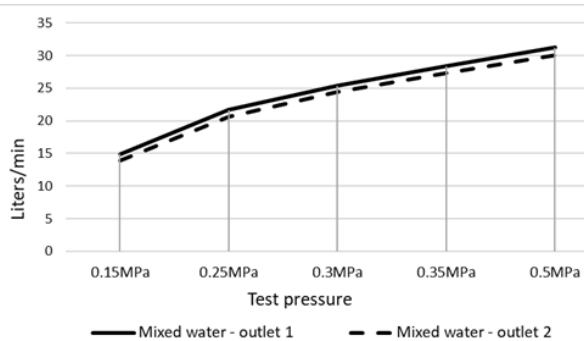
## ROUND THERMOSTATIC MIXER 2-way

### EXPLODED VIEW



No.	Part Name
1	Pin Lever
2	Screw
3	O-ring
4	Handle
5	Button
6	Spring
7	Handle
8	Positioning Pin
9	Back Plate
10	O-ring
11	Copper Sleeve

### FLOW RATE GRAPH



### CREDENTIALS

- Applying for EN1111 & EN1287
- Applying for WRAS

### TOLERANCES

