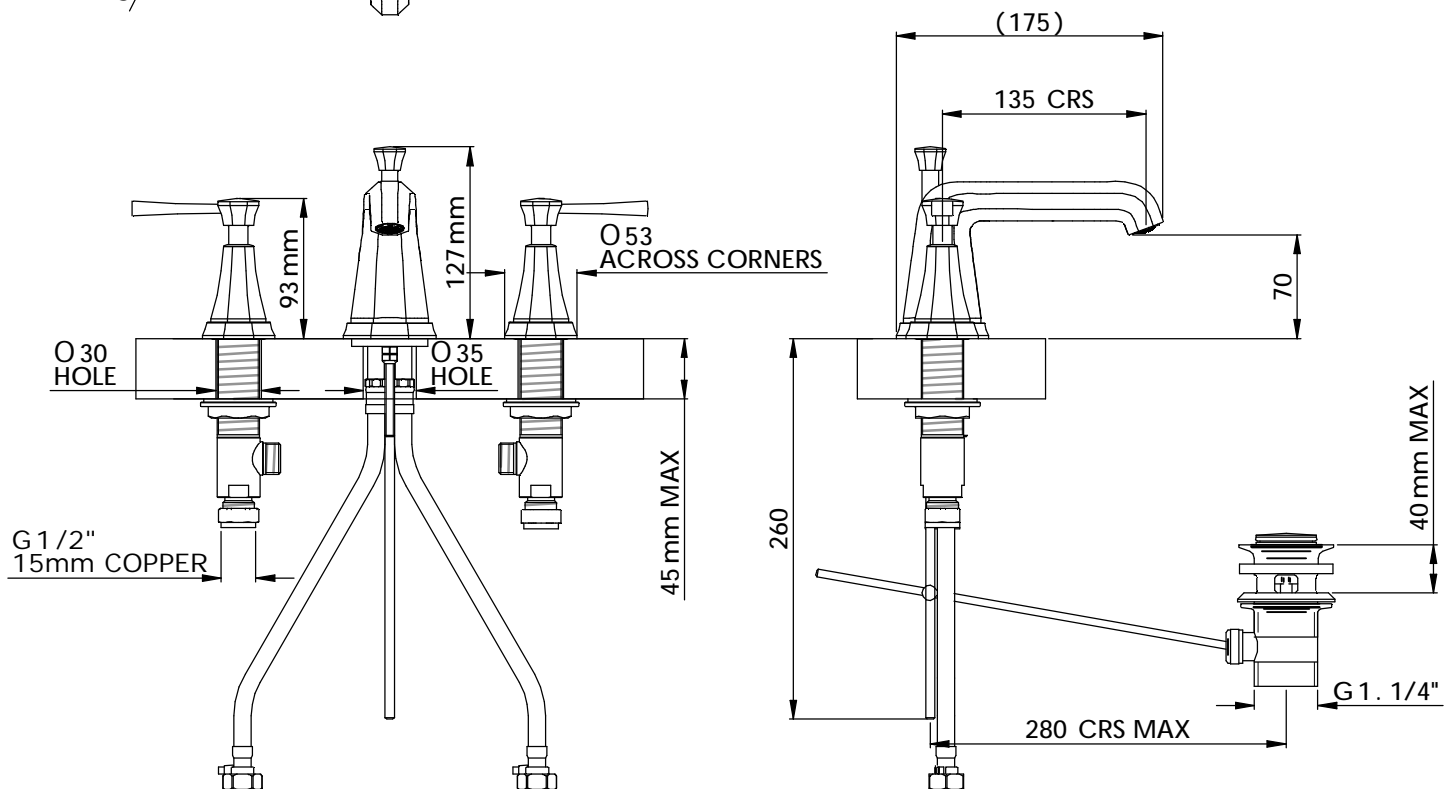
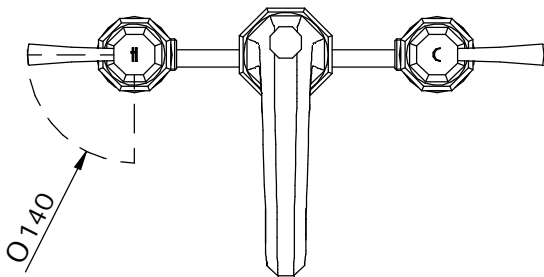


3 HOLE LEVER BASIN Mixer

- Made in England
- 1/4 turn ceramic disc flow controls
- Handle alignment verniers for accurate handle positioning
- Mounts into tops up to 45mm thick
- Flexible hose connectors to accommodate a range of hole spacings
- Plug lifter for pop-up waste



Available Finishes:

- Chrome
- Nickel
- Pewter
- Bronze
- Gold

Temp Range:

Min 1°C / 34°F
Max 85°C / 185°F

Recommended Working Pressure:

Min 1bar / 15psi
Max 5bar / 75psi