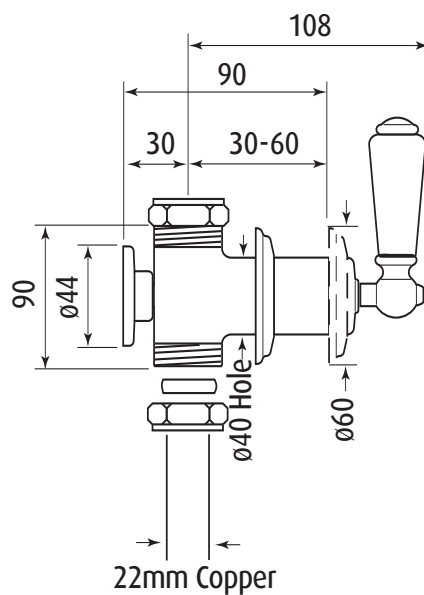


# Specification 3230 3240



## 3230 Pair of 3/4" Wall Valves with Lever Handles 3240 Single 3/4" Wall Valve with Lever Handle

- 1/4 turn ceramic disc flow control ● Vernier insert for accurate handle alignment ●
- Unique handle construction with integral bearing ring ●



**Packed Weight:** 3230 1.9Kg  
3240 1Kg

**Temp Range:**  
Min 1°C / 34°F  
Max 85°C / 185°F

**Recommended working pressure:**  
Min 0.5 bar / 7psi  
Max 5 bar / 75 psi

# Specification 3230 3240



**3230 Pair of 3/4" Wall Valves with Lever Handles**  
**3240 Single 3/4" Wall Valve with Lever Handle**

- 1/4 turn ceramic disc flow control ● Vernier insert for accurate handle alignment ●
- Unique handle construction with integral bearing ring ●

Where \* Indicated Specify Colour.

