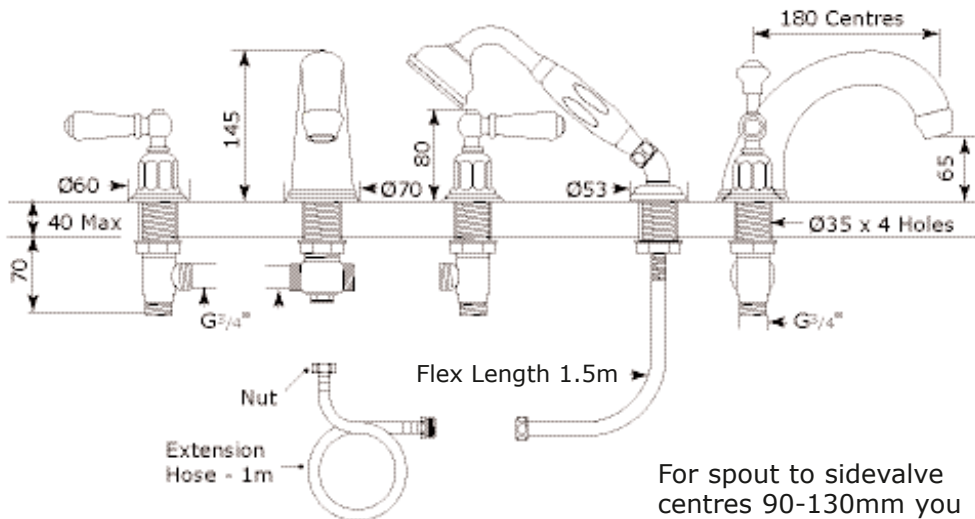




Specification 3245

7" Four Hole Bath Set with Lever Handles.

- 1/4 turn ceramic disc flow control • Vernier insert for accurate handle alignment
- Unique handle construction with integral bearing ring



For spout to sidevalve centres 90-130mm you can use connection kit 3251

Packed Weight: 5.8Kg

Temp Range:

Min 1°C / 34°F

Max 85°C / 185°F

Recommended working pressure:

Min 0.5 bar / 7psi

Max 5 bar / 75 psi



Specification 3245

7" Four Hole Bath Set with Lever Handles.

- 1/4 turn ceramic disc flow control ● Vernier insert for accurate handle alignment
- Unique handle construction with integral bearing ring

Where * Indicated Specify Colour.

