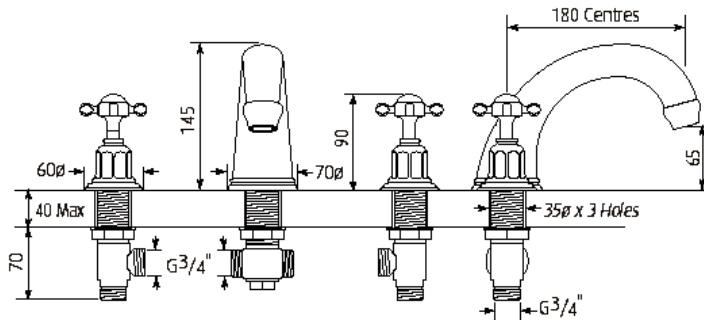


Specification 3256



7" Three Hole Bath Set with Crosshead Handles.

- 1/4 turn ceramic disc flow control • Vernier insert for accurate handle alignment
- Unique handle construction with integral bearing ring



For spout to sidevalve
centres 90-130mm you can
use connection kit 3251

Packed Weight:3.4Kg

Temp Range:

Min 1°C / 34°F

Max 85°C / 185°F

Recommended working pressure:

Min 0.5 bar / 7psi

Max 5 bar / 75 psi