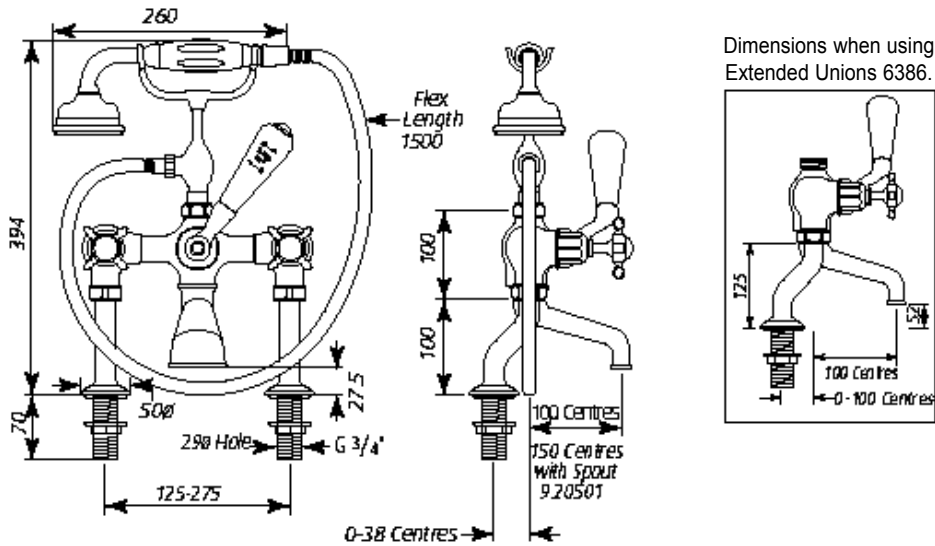


# Specification 3501/1



Bath/Shower Mixer with Handshower & Cradle,  
Pillar Unions and Crosshead Handles

- 1/4 turn ceramic disc flow control • Vernier insert for accurate handle alignment
- Unique handle construction with integral bearing ring



Packed Weight: 6.3Kg

Temp Range:

Min 1°C / 34°F

Max 85°C / 185°F

Recommended working pressure:

Min 0.5 bar / 7psi

Max 5 bar / 75 psi



# Specification 3501/1

Bath/Shower Mixer with Handshower & Cradle,  
Pillar Unions and Crosshead Handles

- 1/4 turn ceramic disc flow control • Vernier insert for accurate handle alignment
- Unique handle construction with integral bearing ring

Where \* Indicated Specify Colour.

