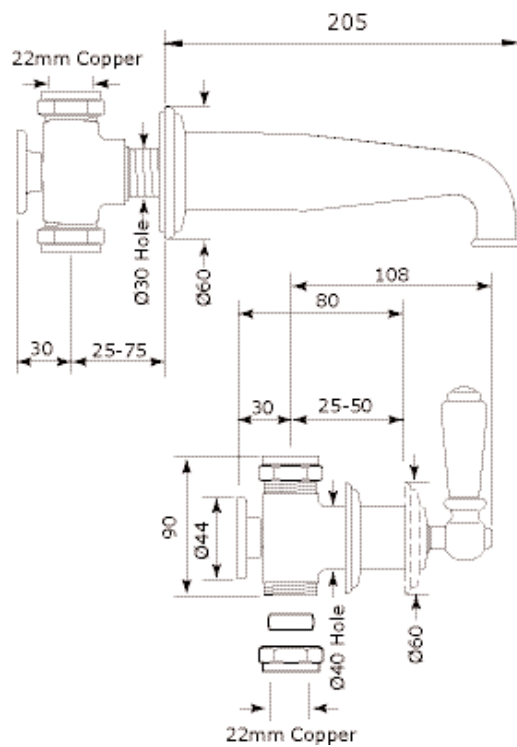


Specification 3580

Three Hole Wall Mounted Bath Set with Low Profile Spout and Lever Handles

- 1/4 turn ceramic disc flow control • Vernier insert for accurate handle alignment
- Unique handle construction with integral bearing ring



Packed Weight: 3.8Kg

Temp Range:

Min 1°C / 34°F

Max 85°C / 185°F

Recommended working pressure:

Min 0.5 bar / 7psi

Max 5 bar / 75 psi

Specification 3580

Three Hole Wall Mounted Bath Set with Low Profile Spout and Lever Handles

- 1/4 turn ceramic disc flow control • Vernier insert for accurate handle alignment
- Unique handle construction with integral bearing ring

Where * Indicated Specify Colour.

