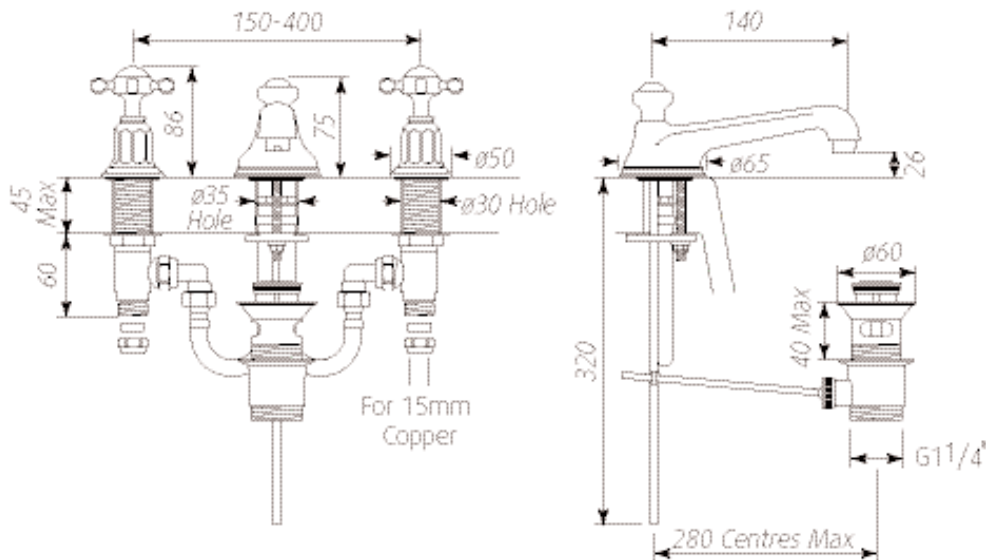


# Specification 3706



## Three Hole Basin Mixer with Low Level Spout and Crosshead Handles

- 1/4 turn ceramic disc flow control • Vernier insert for accurate handle alignment
- Unique handle construction with integral bearing ring
- Flexible connectors for easier installation • Supplied with Pop up Waste



Packed Weight: 3.6Kg

Temp Range:

Min 1°C / 34°F

Max 85°C / 185°F

Recommended working pressure:

Min 0.5 bar / 7psi

Max 5 bar / 75 psi

# Specification 3706



## Three Hole Basin Mixer with Low Level Spout and Crosshead Handles

- 1/4 turn ceramic disc flow control • Vernier insert for accurate handle alignment
- Unique handle construction with integral bearing ring
- Flexible connectors for easier installation • Supplied with Pop up Waste

Where \* Indicated Specify Colour.

