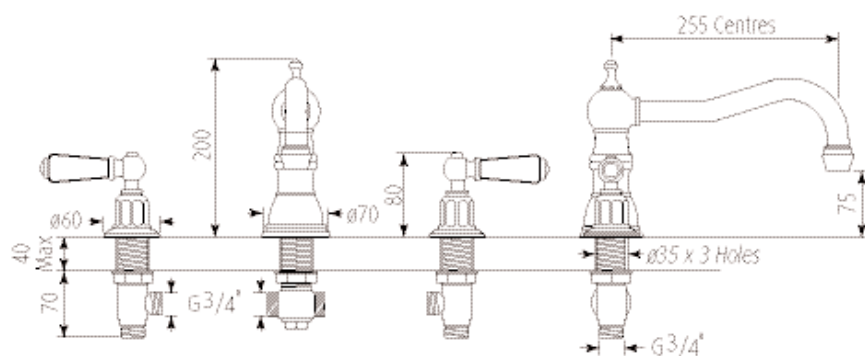


Specification 3755



Three Hole Bath Mixer with Country Spout and Lever Handles

- 1/4 turn ceramic disc flow control • Vernier insert for accurate handle alignment
- Unique handle construction with integral bearing ring



For spout to sidevalve centres 90-130mm you can use connection kit 3251

Packed Weight: 3.4Kg

Temp Range:

Min 1°C / 34°F

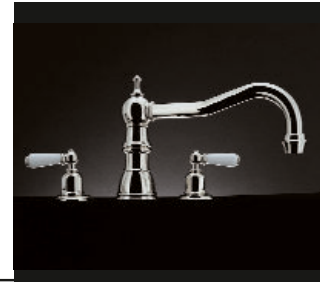
Max 85°C / 185°F

Recommended working pressure:

Min 0.5 bar / 7psi

Max 5 bar / 75 psi

Specification 3755



Three Hole Bath Mixer with Country Spout and Lever Handles

- 1/4 turn ceramic disc flow control • Vernier insert for accurate handle alignment
- Unique handle construction with integral bearing ring

Where * Indicated Specify Colour.

