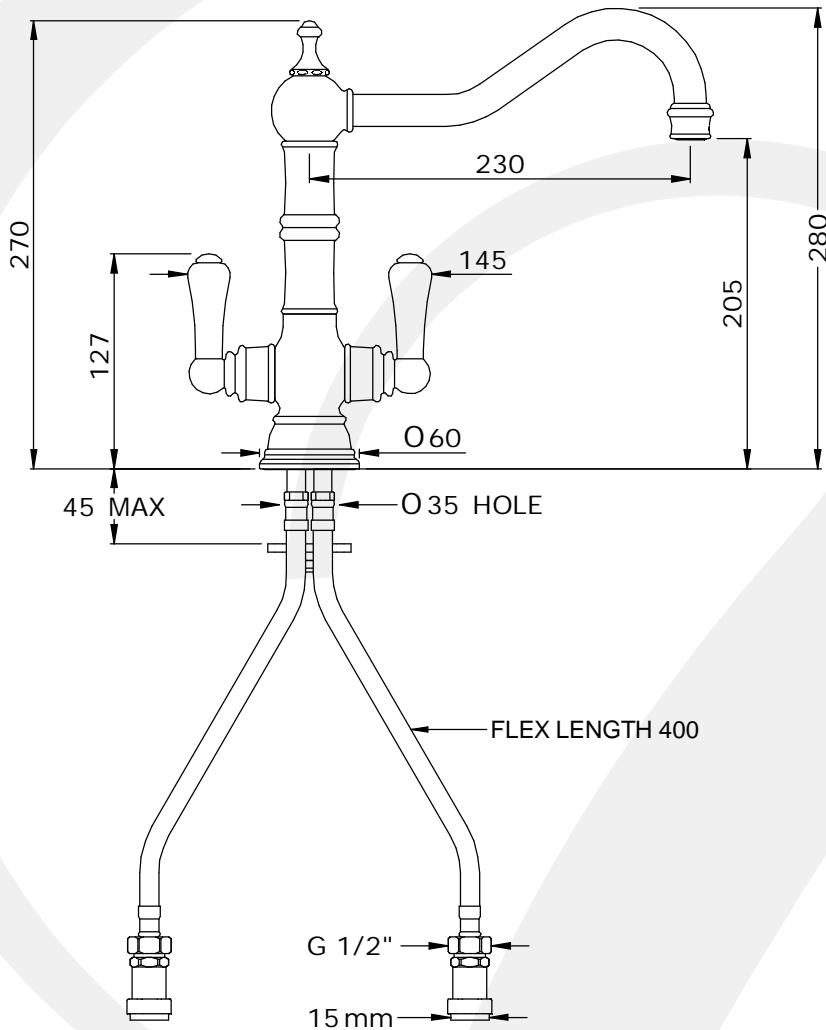


# • SPECIFICATION •

## • 4761 - PICARDIE MONOBLOC SINK MIXER WITH LEVER HANDLES

- Handcrafted in the UK
- 1/4 turn ceramic disc flow control
- Vernier insert for accurate handle alignment
- Unique handle construction with integral bearing ring
- Flexible connectors for easier installation
- Single flow spout
- Supplied with 15mm check valves
- Ideally installed in equal pressure systems



ALL UNITS IN mm  
UNLESS OTHERWISE  
STATED

### Available Finishes:

- Chrome
- Nickel
- Pewter
- Polished Brass
- Satin Brass
- Aged Brass
- Gold
- English Bronze

• Temp Range:  
Min 1°C / 34°F  
Max 70°C / 158°F

• Recommended  
Working Pressure:  
Min 1bar / 15psi  
Max 5bar / 75psi

• Packed Weight:  
3.55 kg

### Available Options:

- 5.7L/min regulated spout (Prefix AR.)
- Rinse version
- Matching soap dispenser

### Flow Rates:

- 1 Bar: 8.2 L/Min
- 2 Bar: 11.4 L/Min
- 3 Bar: 14.4 L/Min