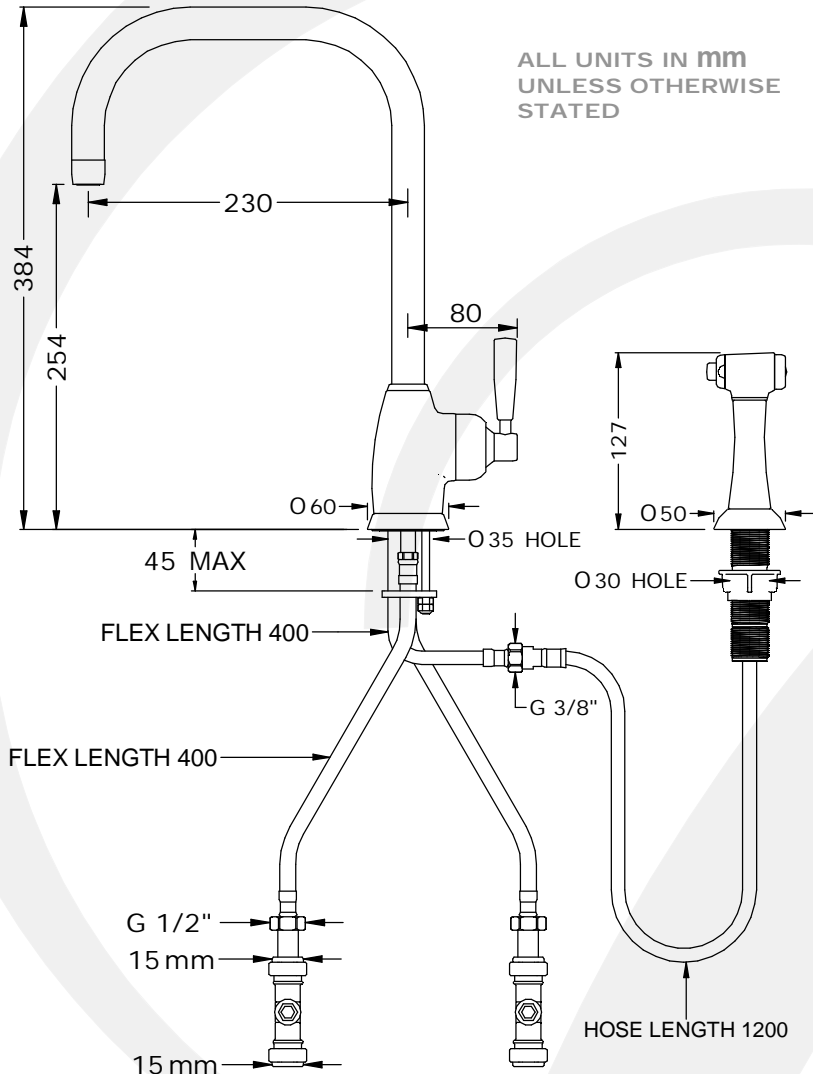


• SPECIFICATION •

• 4848 - MIMAS MONOBLOC SINK MIXER U SPOUT WITH LEVER HANDLE AND RINSE

- Handcrafted in the UK
- Ceramic disc flow control
- Flexible connectors for easier installation
- Easy to operate single hand design
- Single flow spout
- Supplied with 15mm double check valves
- Ideally installed in equal pressure systems



ALL UNITS IN mm
UNLESS OTHERWISE
STATED

Available Finishes:

- Chrome
- Nickel
- Pewter
- Polished Brass
- Satin Brass
- Aged Brass
- Gold
- English Bronze

• Temp Range:
Min 1°C / 34°F
Max 70°C / 158°F

• Recommended
Working Pressure:
Min 1bar / 15psi
Max 5bar / 75psi

• Packed Weight:
3.65kg

Available Options:

- 5.7L/min regulated spout (Prefix AR.)
- Non Rinse version
- Matching soap dispensers
- C Spout version

Flow Rates:

- 1 Bar: 5.3 L/Min
- 2 Bar: 9.3 L/Min
- 3 Bar: 11.2 L/Min