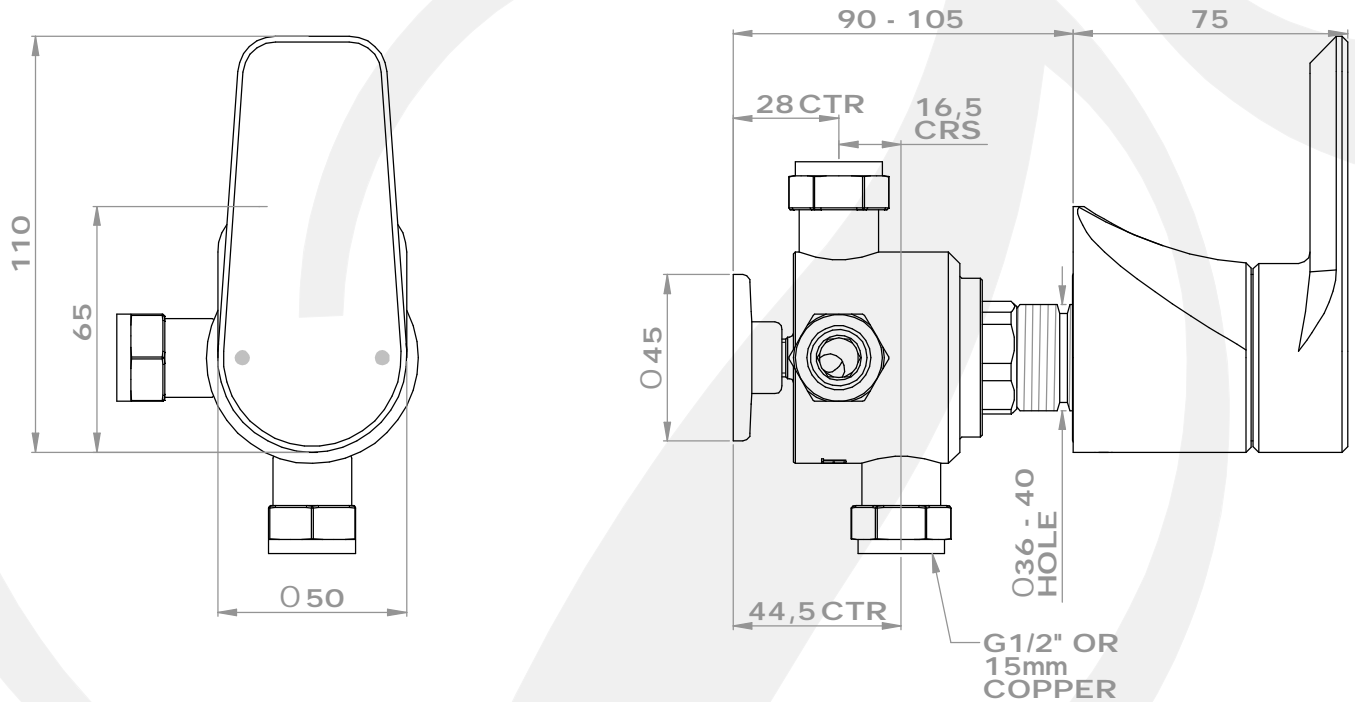
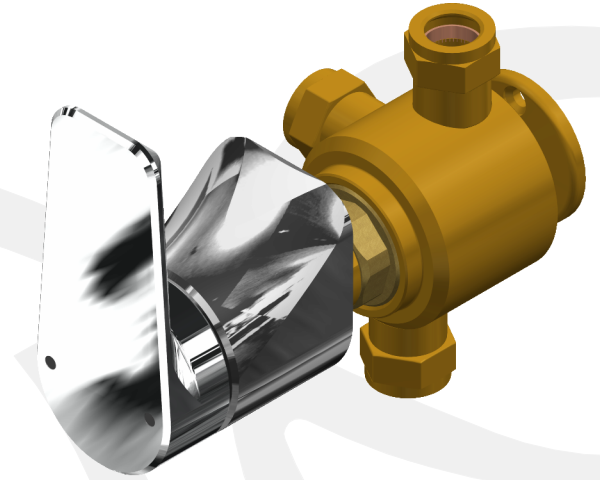


• SPECIFICATION •

• 5433 - Hoxton 3-Way (1 In 2 Out) Diverter Without Stops

- Handcrafted in the UK
- Ceramic disc flow control
- Vernier insert for accurate handle alignment
- Unique handle construction with integral bearing ring
- Solid brass construction



Available Finishes:

- Chrome
- Nickel
- Pewter
- Polished Brass
- Satin Brass
- Gold
- English Bronze

- Temp Range:
Min 1°C / 34°F
Max 70°C / 158°F
- Recommended
Supply Pressure:
Min 0.5bar / 7psi
Max 5bar / 75psi
- Packed Weight:
2.4kg

ALL UNITS IN MM
UNLESS OTHERWISE
STATED