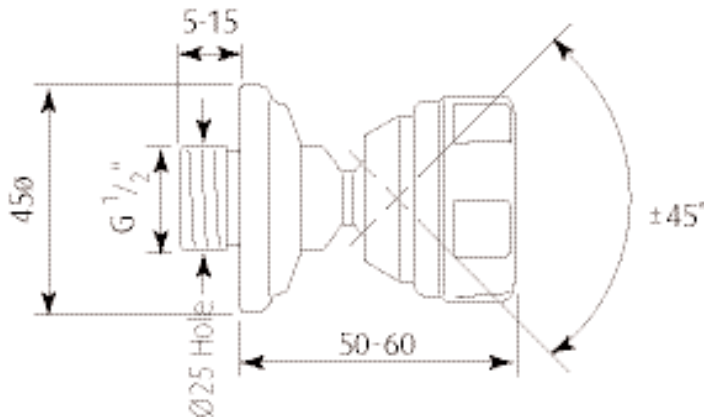
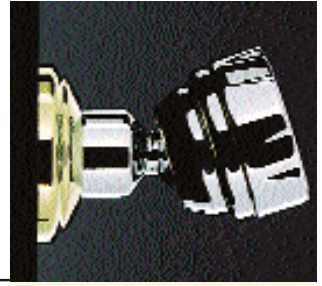


Specification 5570

Body Spray



Packed Weight:0.3Kg

Temp Range:

Min 1°C / 34°F

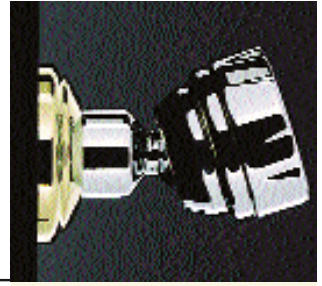
Max 85°C / 185°F

Recommended working pressure:

Min 0.5 bar / 7psi

Max 5 bar / 75 psi

Specification 5570



Body Spray

Where * Indicated Specify Colour.

