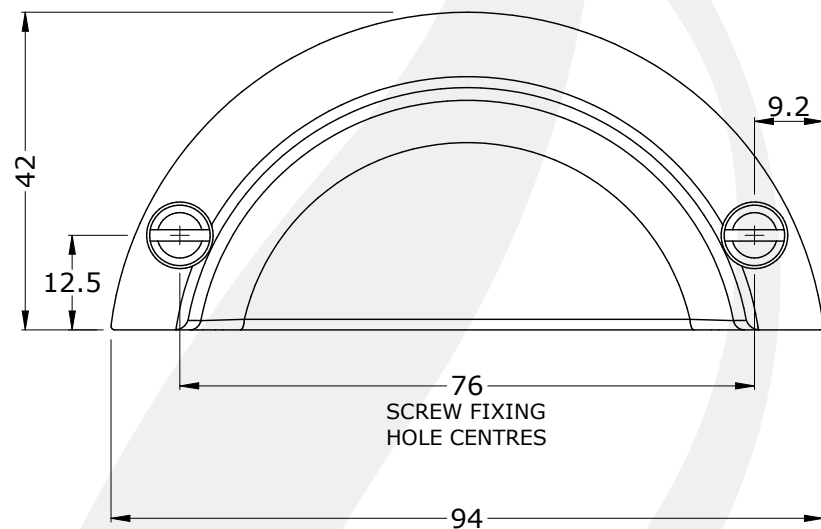
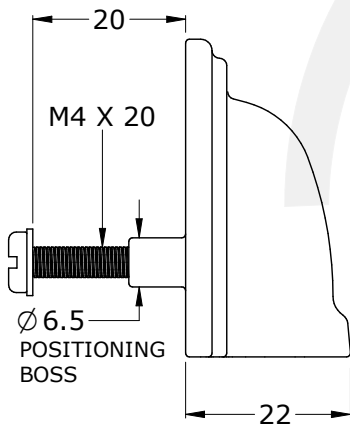


# • SPECIFICATION •

## • 6055 - TRADITIONAL SHELL DRAWER PULL HANDLE

- SUPPLIED AS 5 BOXED
- MANUFACTURED IN THE UK
- SUPPLIED WITH SCREW FIXING KIT  
(M4 X 20 PANHEAD STAINLESS STEEL SCREW X 10)  
(M4 STAINLESS STEEL WASHER X 10)
- COMPLIMENTS PERRIN AND ROWE TAP STYLING



### AVAILABLE FINISHES:

- CHROME
- NICKEL
- PEWTER
- POLISHED BRASS
- SATIN BRASS
- AGED BRASS
- GOLD
- ENGLISH BRONZE

PACKED WEIGHT:  
0.830 KG [5 BOXED]

UNIT WEIGHT:  
0.131 KG

ALL UNITS IN mm  
UNLESS OTHERWISE  
STATED