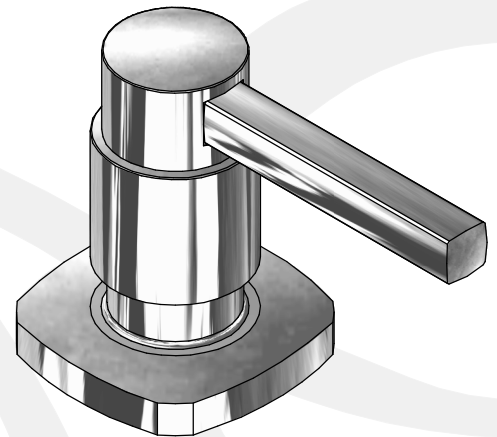
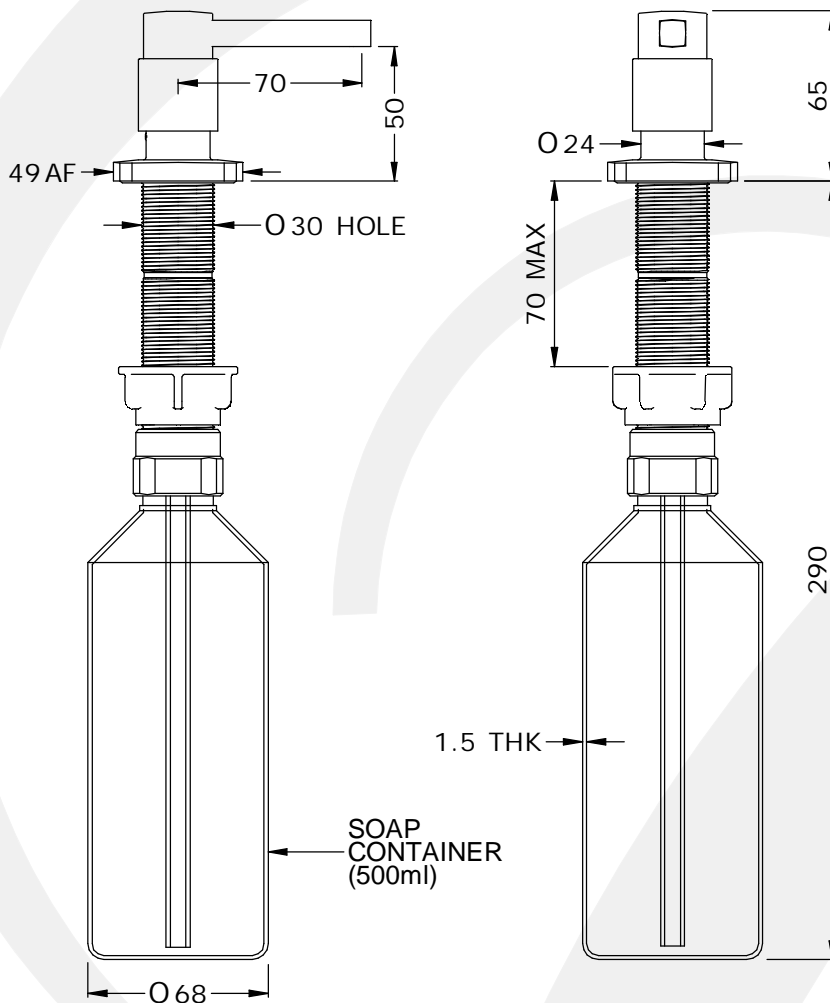


• SPECIFICATION •

• 6295 - RUBIQ SOAP DISPENSER DECK MOUNTED

- Designed for easy installation
- Smooth pump action dispenser
- Easy top fill option or undermount refill
- Soap dispenser bottle capacity 500ml
- Robust UK made pump mechanism
- Optional fitted security screw on soap dispenser head



ALL UNITS IN mm
UNLESS OTHERWISE
STATED

Available Finishes:

- Chrome
- Nickel
- Pewter
- Polished Brass
- Satin Brass
- Aged Brass
- Gold
- English Bronze

Packed Weight:
2 kg