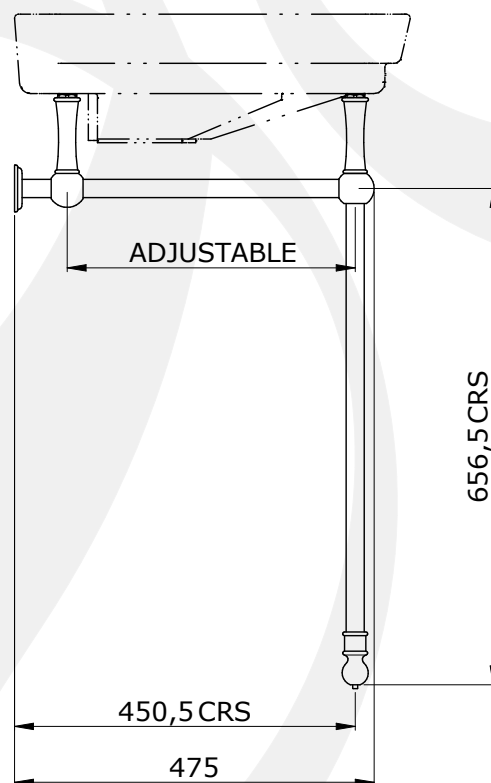
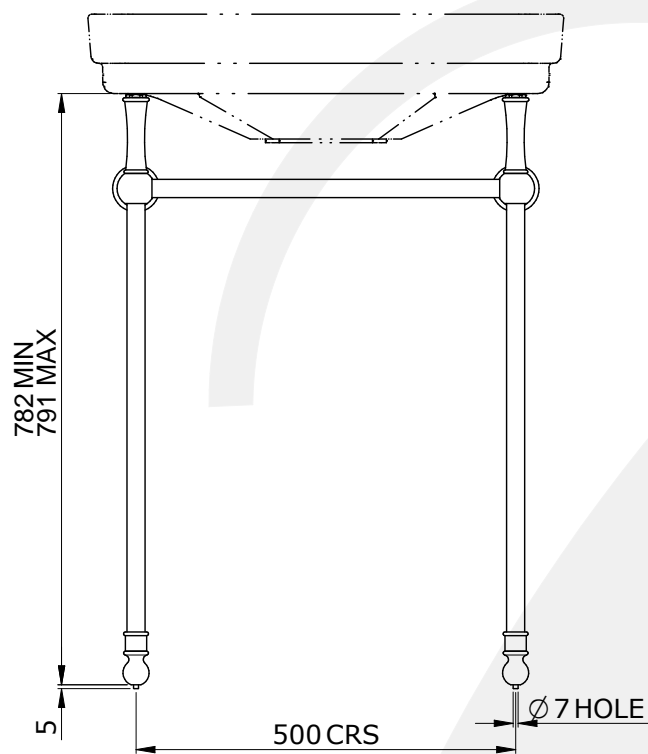
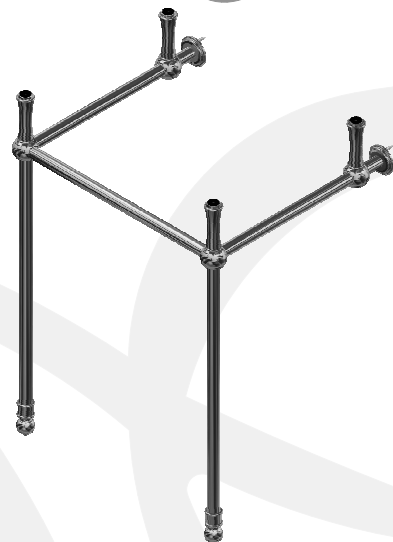


• SPECIFICATION •

• 6305 - TRADITIONAL BASIN STAND

- HANDCRAFTED IN THE UK
- DESIGNED TO ACCOMMODATE VICTORIAN AND DECO BASINS
- MOUNTING WALL PLUGS/SCREWS AND PLATE SUPPLIED
- CONCEALED WALL FIXINGS
- BRASS CONSTRUCTION



AVAILABLE FINISHES:

- CHROME
- NICKEL
- PEWTER
- POLISHED BRASS
- SATIN BRASS
- GOLD
- ENGLISH BRONZE

• PACKED WEIGHT: 7.0KG