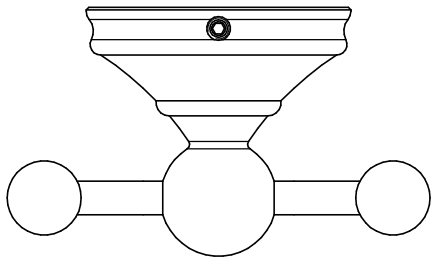
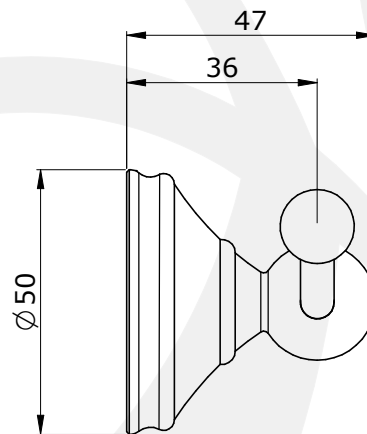
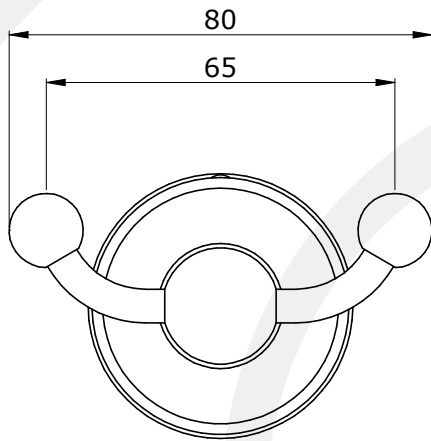
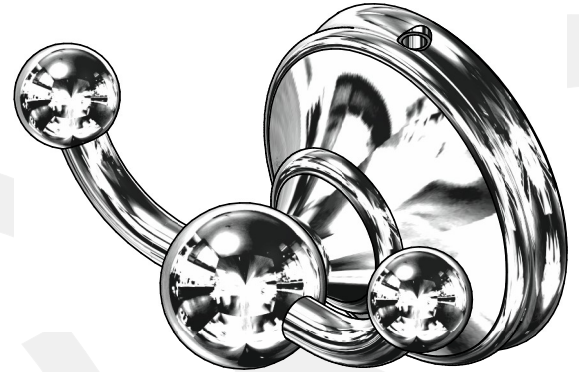


• SPECIFICATION •

• 6622 - GEORGIAN DOUBLE ROBE HOOK

- GEORGIAN STYLED DOUBLE ROBE HOOK
- HANDCRAFTED IN ENGLAND & MADE FROM BRASS
- COMPLEMENTS P&R GEORGIAN RANGE (SEE BELOW)



ALL UNITS IN mm
UNLESS OTHERWISE
STATED

AVAILABLE FINISHES:

- CHROME
- NICKEL
- PEWTER
- POLISHED BRASS
- SATIN BRASS
- GOLD
- ENGLISH BRONZE

PACKED WEIGHT:
1.3 KG

AVAILABLE OPTIONS:

- GEORGIAN SINGLE ROBE HOOK (6621)
- GEORGIAN TOWEL RING (6634)
- GEORGIAN 495MM TOWEL RAIL (6640)
- GEORGIAN TOILET ROLL HOLDER (6648)
- GEORGIAN DECK SOAP DISPENSER (6695)
- GEORGIAN WALL MOUNTED SOAP DISPENSER (6673)
- GEORGIAN FREE STANDING SOAP DISPENSER (6633)