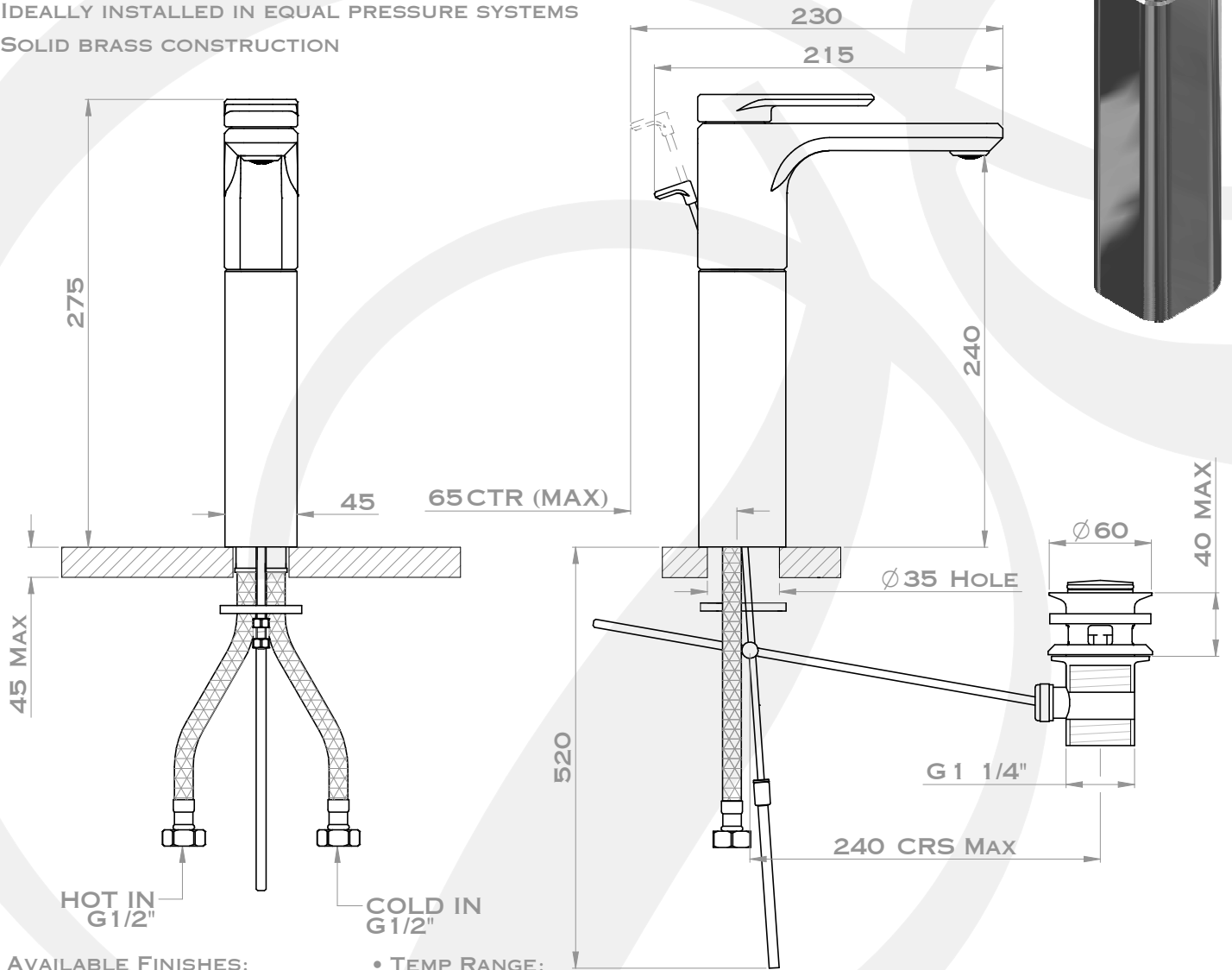


• SPECIFICATION •

• 3419 - HOXTON TALL SINGLE LEVER BASIN MIXER

- HANDCRAFTED IN THE UK
- CERAMIC DISC FLOW CONTROL
- EASY TO OPERATE SINGLE HAND DESIGN
- FLEXIBLE CONNECTORS FOR EASIER INSTALLATION
- SUPPLIED WITH POP UP WASTE
- IDEALLY INSTALLED IN EQUAL PRESSURE SYSTEMS
- SOLID BRASS CONSTRUCTION



AVAILABLE FINISHES:

- CHROME
- NICKEL
- PEWTER
- POLISHED BRASS
- SATIN BRASS
- GOLD
- ENGLISH BRONZE

- **TEMP RANGE:**
MIN 1°C / 34°F
MAX 70°C / 158°F

- **RECOMMENDED SUPPLY PRESSURE:**
MIN 1 BAR / 15PSI
MAX 5 BAR / 75PSI

- **PACKED WEIGHT:**
#KG

AVAILABLE OPTIONS:

- 5.0L/MIN REGULATED SPOUT (PREFIX AR.)

FLOW RATES:

- 1 BAR:
- 2 BAR:
- 3 BAR: