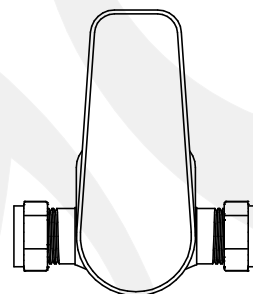
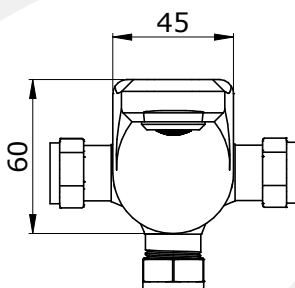
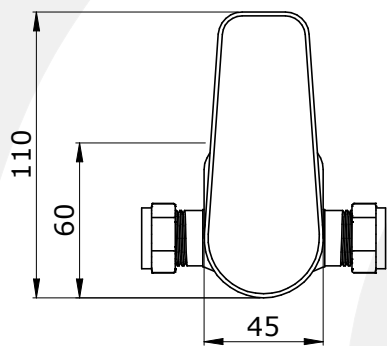
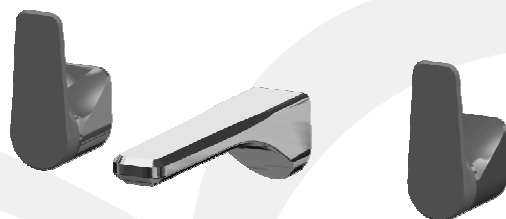


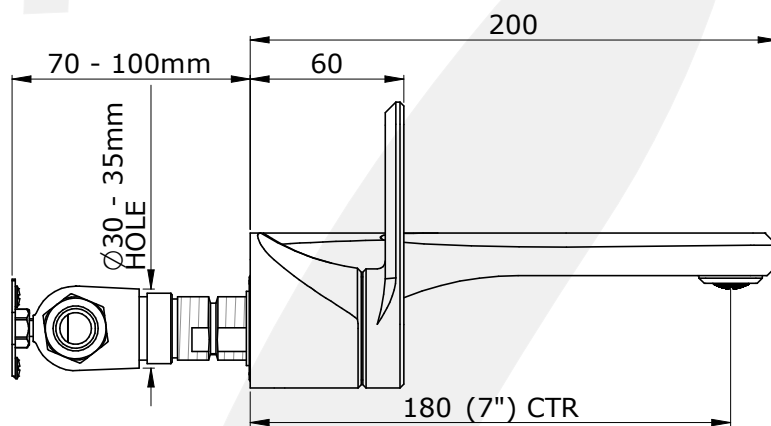
• SPECIFICATION •

• 3478 - HOXTON BASIN WALL MOUNTED 3 HOLE SET

- HANDCRAFTED IN THE UK
- 1/4 TURN CERAMIC DISC FLOW CONTROL
- VERNIER INSERT FOR ACCURATE HANDLE ALIGNMENT
- UNIQUE HANDLE CONSTRUCTION WITH INTEGRAL BEARING RING
- IDEALLY INSTALLED IN EQUAL PRESSURE SYSTEMS
- MOUNTING WALL PLUGS/SCREWS SUPPLIED
- CONCEALED WALL FIXINGS
- SOLID BRASS CONSTRUCTION



ALL CONNECTIONS 15mm COPPER OR G¹/₂"



AVAILABLE FINISHES:

- CHROME
- NICKEL
- PEWTER
- POLISHED BRASS
- SATIN BRASS
- GOLD
- ENGLISH BRONZE

• TEMP RANGE:
MIN 1°C / 34°F
MAX 70°C / 158°F

• RECOMMENDED
SUPPLY PRESSURE:
MIN 0.5BAR / 7PSI
MAX 5BAR / 75PSI

• PACKED WEIGHT:
#KG

AVAILABLE OPTIONS:

- 5.0L/MIN REGULATED SPOUT (PREFIX AR.)

FLOW RATES:
• 1 BAR: L/MIN
• 2 BAR: L/MIN
• 3 BAR: L/MIN