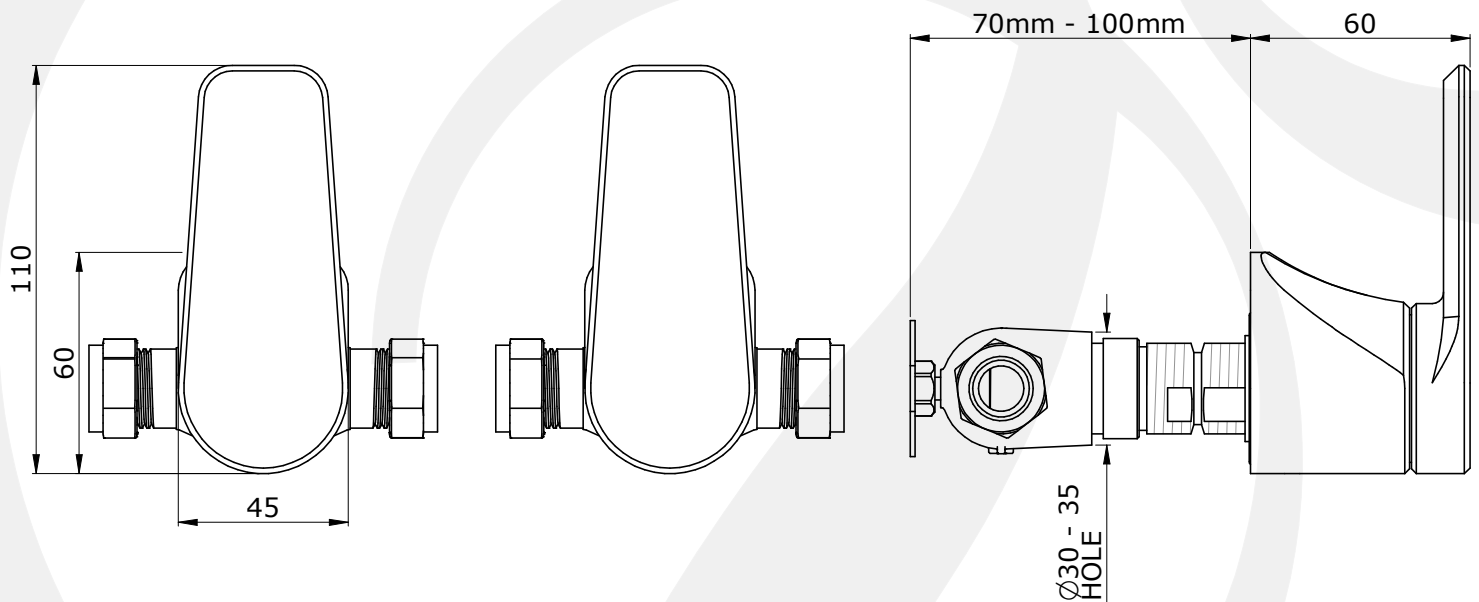
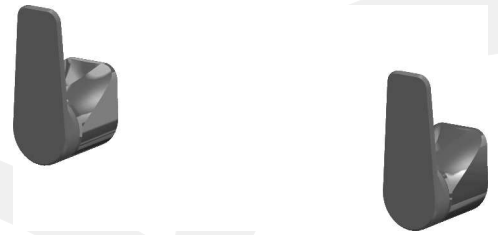


# • SPECIFICATION •

## • 3479 - HOXTON 1/2" WALL VALVES (PAIR)

- HANDCRAFTED IN THE UK
- 1/4 TURN CERAMIC DISC FLOW CONTROL
- VERNIER INSERT FOR ACCURATE HANDLE ALIGNMENT
- UNIQUE HANDLE CONSTRUCTION WITH INTEGRAL BEARING RING
- IDEALLY INSTALLED IN EQUAL PRESSURE SYSTEMS
- MOUNTING WALL PLUGS/SCREWS AND PLATE SUPPLIED
- CONCEALED WALL FIXINGS
- SOLID BRASS CONSTRUCTION



ALL CONNECTIONS 15mm COPPER OR G<sup>1/2</sup>"

### AVAILABLE FINISHES:

- CHROME
- NICKEL
- PEWTER
- POLISHED BRASS
- SATIN BRASS
- GOLD
- ENGLISH BRONZE

• TEMP RANGE:  
MIN 1°C / 34°F  
MAX 70°C / 158°F

• RECOMMENDED  
SUPPLY PRESSURE:  
MIN 0.5BAR / 7PSI  
MAX 5BAR / 75PSI

• PACKED WEIGHT:  
#KG

### FLOW RATES:

- 1 BAR: 15 L/MIN
- 2 BAR: 20 L/MIN
- 3 BAR: 29 L/MIN