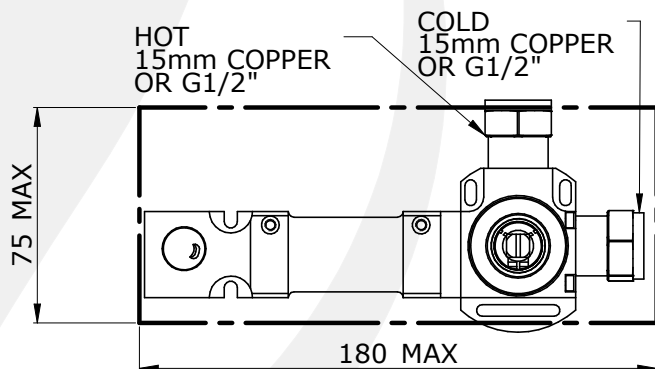
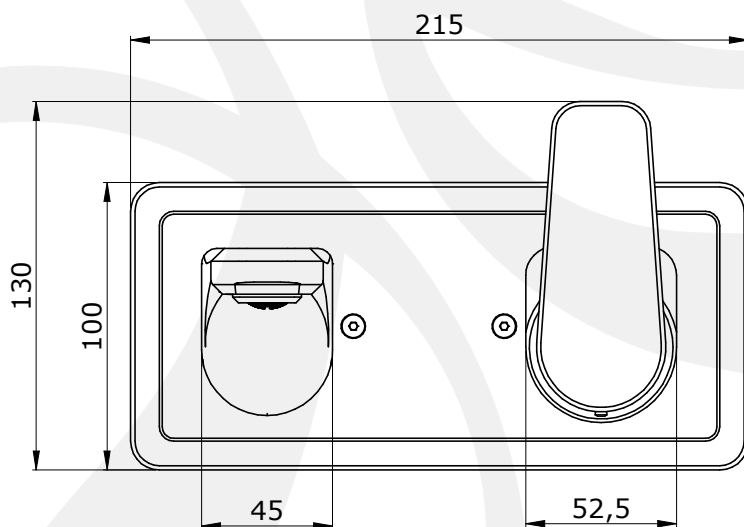
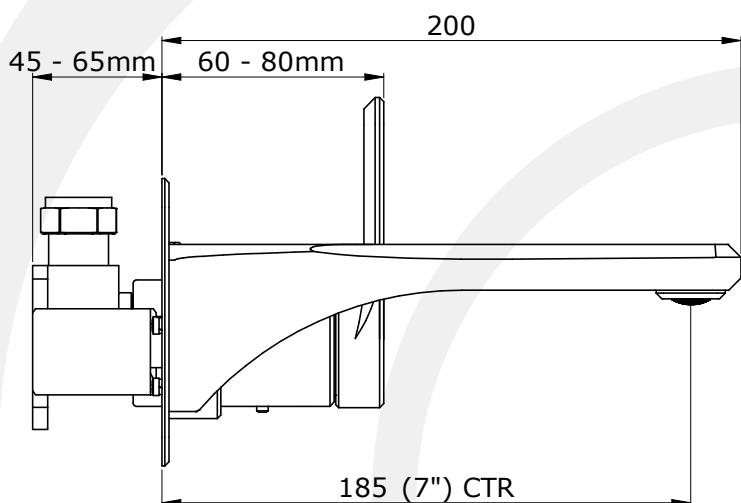


# • SPECIFICATION •

## • 3481 - HOXTON WALL MOUNTED BASIN SINGLE LEVER

- HANDCRAFTED IN THE UK
- EASY TO OPERATE SINGLE HAND DESIGN
- SINGLE FLOW SPOUT
- IDEALLY INSTALLED IN EQUAL PRESSURE SYSTEMS
- MOUNTING WALL PLUGS/SCREWS AND PLATE SUPPLIED
- CONCEALED WALL FIXINGS
- SOLID BRASS CONSTRUCTION
- DESIGNED FOR EASY INSTALLATION



### AVAILABLE FINISHES:

- CHROME
- NICKEL
- PEWTER
- POLISHED BRASS
- SATIN BRASS
- GOLD
- ENGLISH BRONZE

• TEMP RANGE:  
MIN 1°C / 34°F  
MAX 70°C / 158°F

• RECOMMENDED  
SUPPLY PRESSURE:  
MIN 0.5BAR / 7PSI  
MAX 5BAR / 75PSI

• PACKED WEIGHT:  
#KG

### AVAILABLE OPTIONS:

- 5.0L/MIN REGULATED SPOUT (PREFIX AR.)

### FLOW RATES:

- 1 BAR: L/MIN
- 2 BAR: L/MIN
- 3 BAR: L/MIN