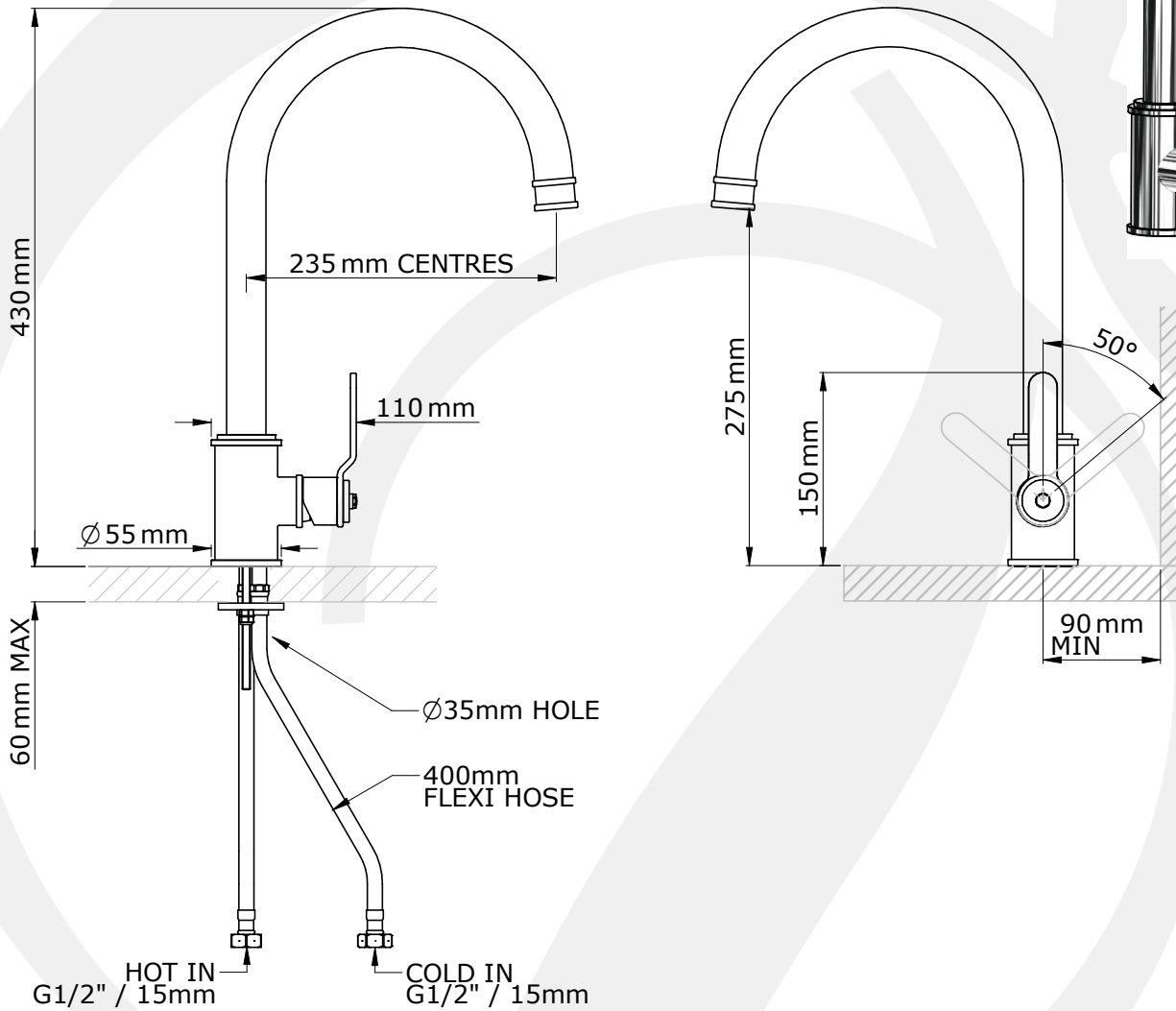


• SPECIFICATION •

• 4512/HS - INDUSTRIAL SINGLE LEVER MIXER WITH HANDLE SMOOTH

- HANDCRAFTED IN THE UK
- CERAMIC DISC FLOW CONTROL
- FLEXIBLE CONNECTORS FOR EASIER INSTALLATION
- SINGLE FLOW SPOUT
- SUPPLIED WITH 15MM CHECK VALVES
- IDEALLY INSTALLED IN EQUAL PRESSURE SYSTEMS



AVAILABLE FINISHES:

- CHROME
- NICKEL
- PEWTER
- POLISHED BRASS
- SATIN BRASS
- AGED BRASS
- GOLD
- ENGLISH BRONZE

• TEMP RANGE:
MIN 1°C / 34°F
MAX 70°C / 158°F

• RECOMMENDED
SUPPLY PRESSURE:
MIN 1 BAR / 15PSI
MAX 5 BAR / 75PSI

• PACKED WEIGHT:
3.6KG

AVAILABLE OPTIONS:

- TEXTURED LEVER VARIANT
- PULL-DOWN VERSIONS
- 5.7L/MIN REGULATED SPOUT (PREFIX AR.)

FLOW RATES:

- 1 BAR: 5.9 L/MIN
- 2 BAR: 9.7 L/MIN
- 3 BAR: 12.5 L/MIN