

ARIANE

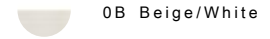
Freestanding STONEX® oval bath with drain



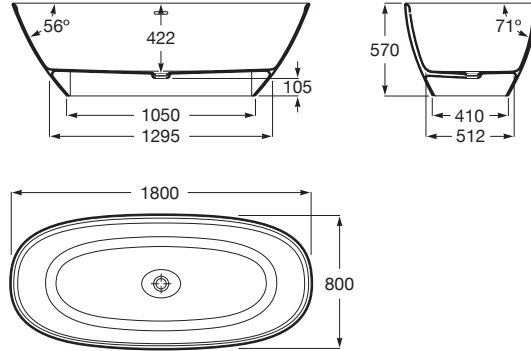
DIMENSIONS

Length	1800 mm
Width	800 mm
Height	570 mm

COLOURS AND FINISHES



TECHNICAL DRAWINGS



FEATURES

- Anti-slip type: Integrated
- Bath height with panel (mm): 570
- Capacity (people): 2
- Inside length at the bottom (mm): 1295
- Inside width at the bottom (mm): 512
- Installation legs: With legs
- Installation structure: With feet
- Installation type: Freestanding
- Internal height (mm): 422
- Internal length (mm): 1800
- Internal width (mm): 800
- Material: STONEX®
- Net weight (kg): 97
- Overflow trim included
- Panel included
- Shape: Oval
- Sound insulation
- Waste diameter (mm): 52
- Water capacity to overflow (l): 200
- Weight (Kg): 173



Slip-resistant base (anti-slip)





Ariane

Contemporary freestanding bath made from our exclusive Stonex® formulation which uses a selection of high-quality resins and minerals.

