

# TECHNICAL DATA SHEET

Node Wall Hung Basin 42x30cm ITH - DCI 4007

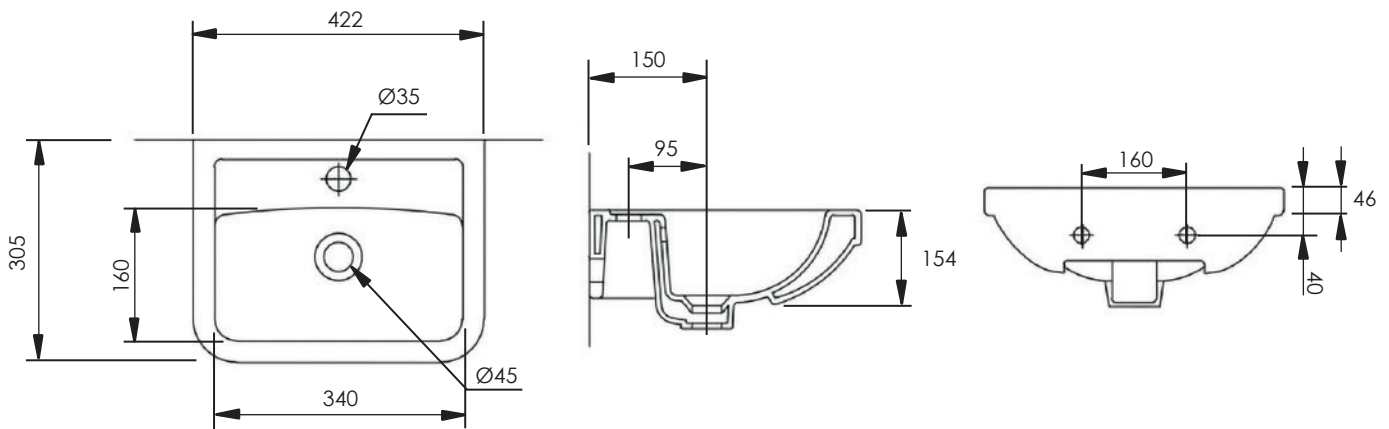
# TAVISTOCK

NO.	Description	Product Code	Fixings included	Gross Weight
I	Node Wall Hung Basin 42x30cm ITH	DCI 4007	YES	8KG



## DIMENSIONS

DIAGRAMS NOT TO SCALE | ALL DIMENSIONS IN MM TOLERANCE OF ± 5MM  
ALL PRODUCTS CONFORM TO BRITISH STANDARDS



\*Dimensions are subject to change, customers are advised to measure actual product before commencing installation.

\*\*Fixing point dimensions are for guidance only. The positions of fixings must be checked when product is received.

## FAQs

Q - What is the maximum water depth of the basin?  
A - 55mm up to the overflow.

Q - Can this basin be wall hung?  
A - Yes. Fischer bolts are supplied for use in solid walls.

Q - Does the basin have an integral overflow?  
A - Yes

Key Dimensions Descriptions	Key Dimensions (mm)
Internal Bowl Depth	85mm
Internal Bowl Front to Back	160mm
Internal Bowl Left to Right	340mm
Tap Ledge	N/A
Taphole Centre to Waste Centre	95mm
Taphole Centre to Back of Basin	55mm
Waste Centre to Back of Basin	150mm
Width of Rear Basin	422mm
Basin Depth	305mm