

TECHNICAL DATA SHEET

Blend Curved Wall Hung Basin 46x31cm ITH - MIA450C

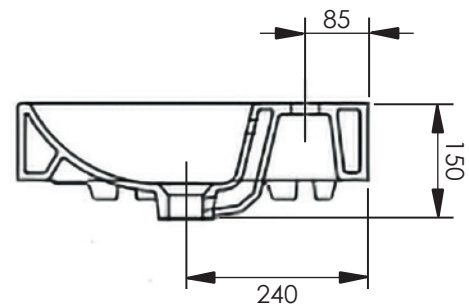
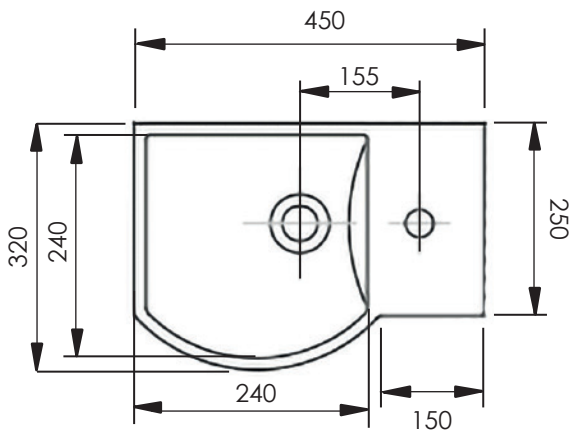
TAVISTOCK

NO.	Description	Product Code	Fixings included	Gross Weight
I	Blend Curved Wall Hung Basin 46x31cm ITH	MIA450C	YES	8KG



DIMENSIONS

DIAGRAMS NOT TO SCALE | ALL DIMENSIONS IN MM TOLERANCE OF ± 5 MM
ALL PRODUCTS CONFORM TO BRITISH STANDARDS



*Dimensions are subject to change, customers are advised to measure actual product before commencing installation.

**Fixing point dimensions are for guidance only. The positions of fixings must be checked when product is received.

FAQs

Q - What is the maximum water depth of the basin?

A - 65mm up to the overflow.

Q - Can this basin be wall hung?

A - Yes. Fischer bolts are supplied for use in solid walls.

Q - Does the basin have an integral overflow?

A - Yes

Key Dimensions Descriptions	Key Dimensions (mm)
Internal Bowl Depth	100mm
Internal Bowl Front to Back	240mm
Internal Bowl Left to Right	240mm
Tap Ledge	150mm
Taphole Centre to Waste Centre	155mm
Taphole Centre to Back of Basin	85mm
Waste Centre to Back of Basin	240mm
Width of Rear Basin	450mm
Basin Depth	320mm