

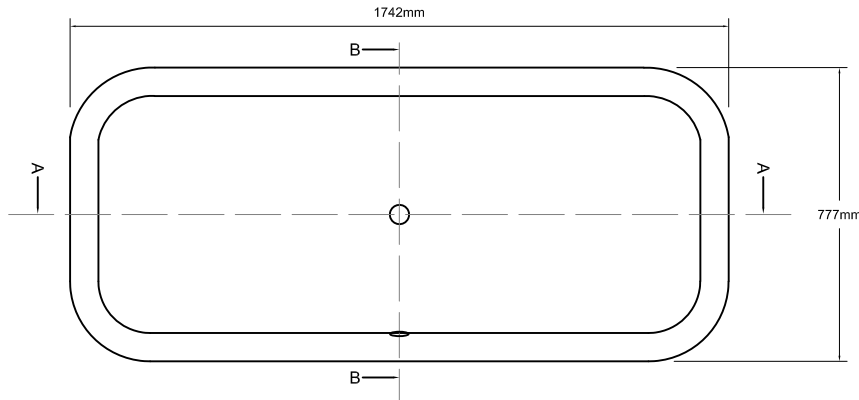


ashton & bentley

Artemis bath

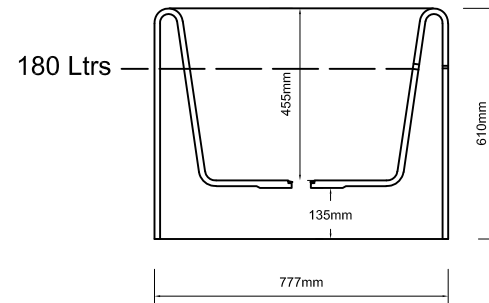
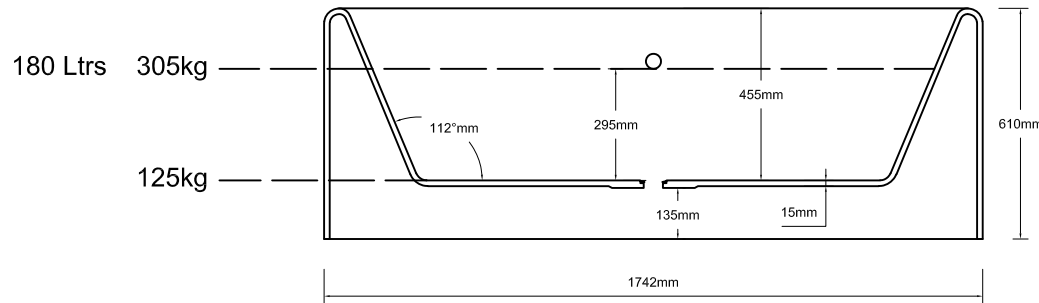
T 01902 83 74 36
W www.ashtonandbentley.co.uk
E info@ashtonandbentley.co.uk

The Design Studio | Creative Industries Centre
Wolverhampton Science Park | WV10 9TG



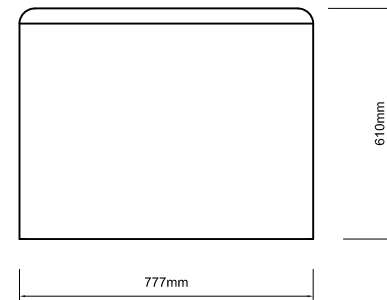
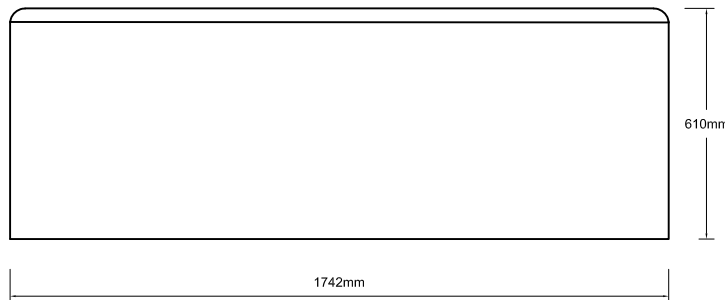
SECTION A-A

SECTION B-B



FRONT ELEVATION

END ELEVATION



180 Ltrs 305kg
125kg

Bath weight: 125 kilos (approx)

Dimensions
L 1742 x W 777 x H 610

Notes

Taps, accessories and assembly parts are not included and must be purchased separately.

Important

All dimensions listed are nominal. Being cast products they are subject to a size variance of +/- 2% tolerances.

A	11.05.18	DRAWING UPDATED IN LINE WITH CAST DIMENSIONS	CADS	CADS
.	12.03.18	BATH WEIGHT ADDED DRAWING CREATED USING SLOANE GARDEN SGFB-P1 REV B AS A BASE	CADS	CADS

REV	DATE	DESCRIPTION	DRAWN	CHECKED
-----	------	-------------	-------	---------

DRAWING TITLE				
Artemis Bath				
SCALE	PAPER SIZE	DATE	DRAWN	CHECKED
1:20	A4	12/03/18	CADS	CADS

DRAWING No			REVISION	
ART-01			- A	

Inspired by nature