



ashton & bentley

CELLA 1500

T 01902 83 74 36
W www.ashtonandbentley.co.uk
E info@ashtonandbentley.co.uk

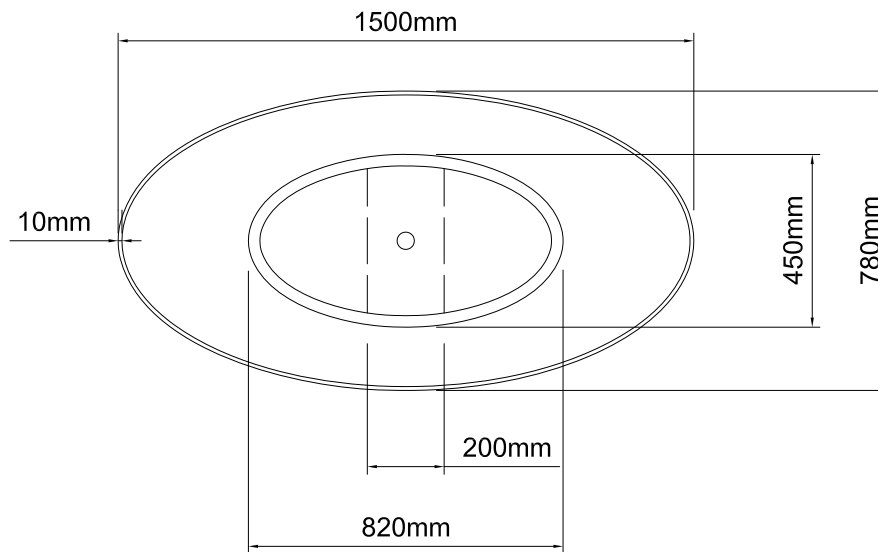
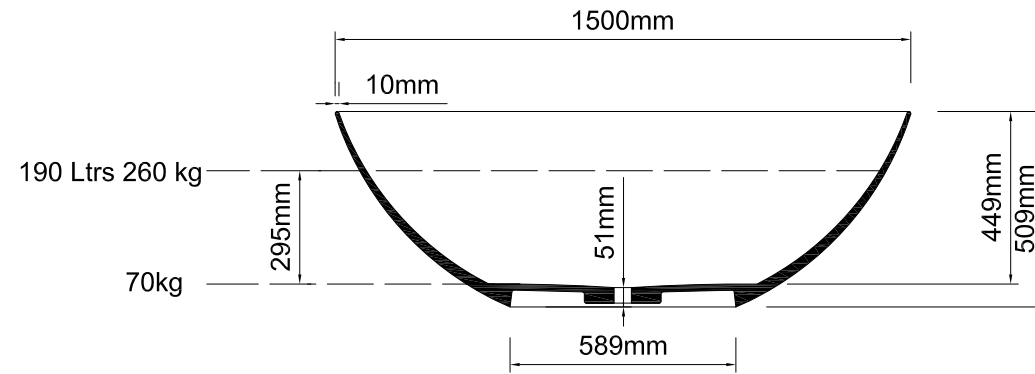
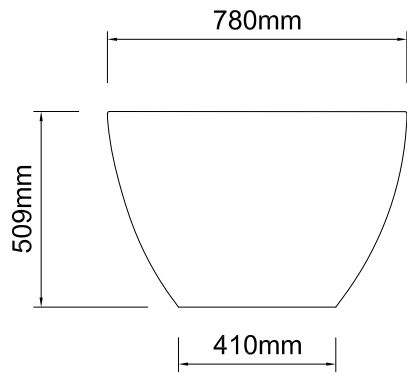
The Design Studio | Creative Industries Centre
Wolverhampton Science Park | WV10 9TG

Notes

Taps, accessories and assembly parts are not included and must be purchased separately.

Important

All dimensions listed are nominal. Being cast products they are subject to a size variance of +/- 3% tolerances.



Bath weight: 70 kilos approx

Dimensions
L 1500 x W 780 x H 509

| REV | DATE | DESCRIPTION | DRAWN | CHECKED |
|-----|----------|-----------------|-------|---------|
| 0 | 15/11/17 | DRAWING CREATED | CADS | CADS |

| DRAWING TITLE | | | | |
|-------------------|------------|----------|-------|----------|
| Cella 1500 | | | | |
| SCALE | PAPER SIZE | DATE | DRAWN | CHECKED |
| 1:20 | A4 | 15/11/17 | CADS | CADS |
| DRAWING No | | | | REVISION |
| CEL-NT-015-01-10R | | | | - |

Inspired by nature

DR Ashton & Bentley 2008-2014