



ashton & bentley

CELLA 1800

T 01902 83 74 36
W www.ashtonandbentley.co.uk
E info@ashtonandbentley.co.uk

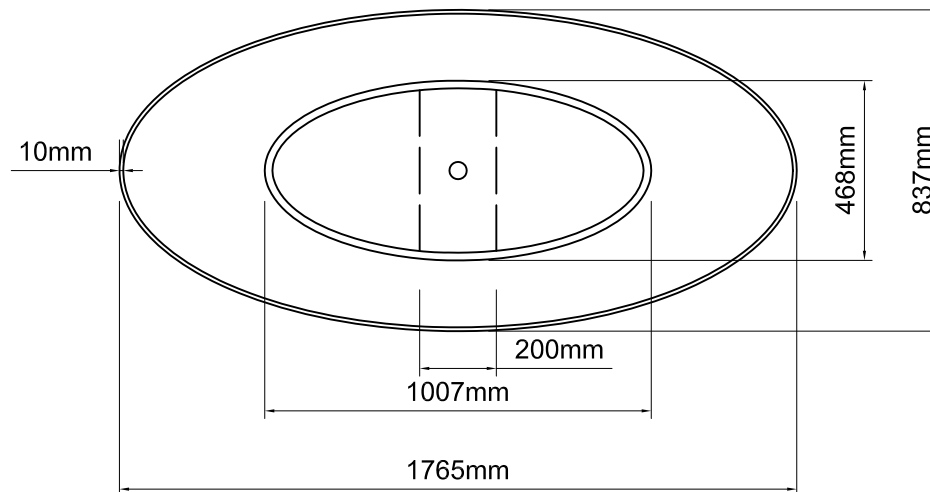
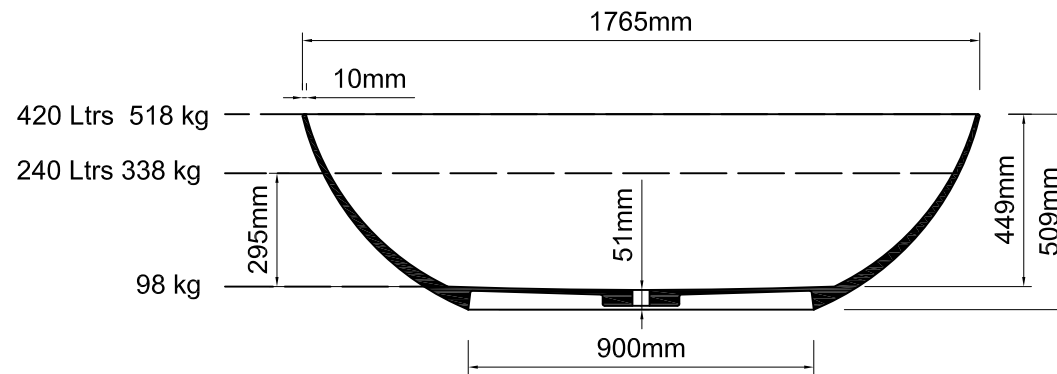
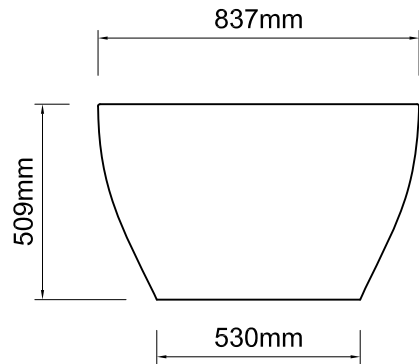
The Design Studio | Creative Industries Centre
Wolverhampton Science Park | WV10 9TG

Notes

Taps, accessories and assembly parts are not included and must be purchased separately.

Important

All dimensions listed are nominal. Being cast products they are subject to a size variance of +/- 3% tolerances.



Bath weight: 98 kilos approx

Dimensions L 1765 x W 837 x H 509

REV	DATE	DESCRIPTION	DRAWN	CHECKED
-	15.11.17	DRAWING CREATED	CADS	CADS

DRAWING TITLE				
Cella 1800				
SCALE	PAPER SIZE	DATE	DRAWN	CHECKED
1:20	A4	15/11/17	CADS	CADS
DRAWING No				REVISION
CEL-NT-018-01-10R				-

Inspired by nature

DR Ashton & Bentley 2008-2014