

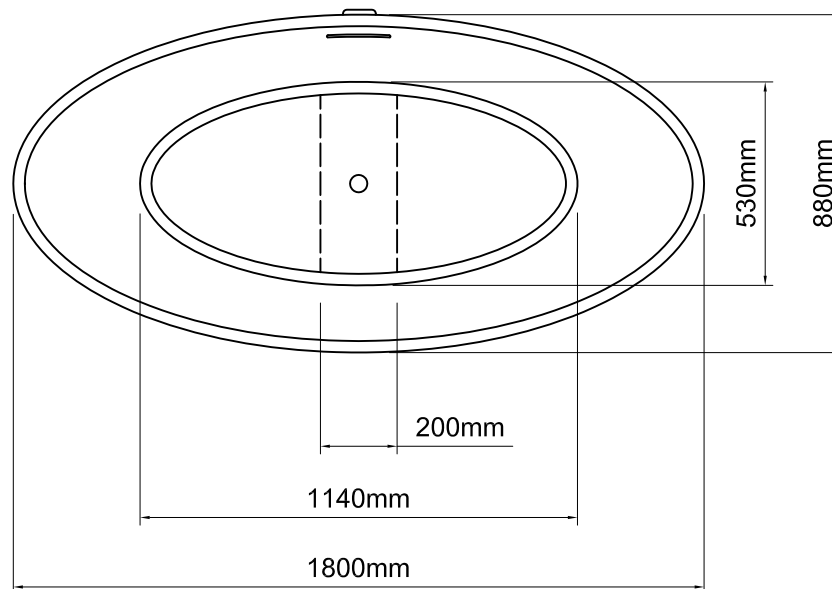
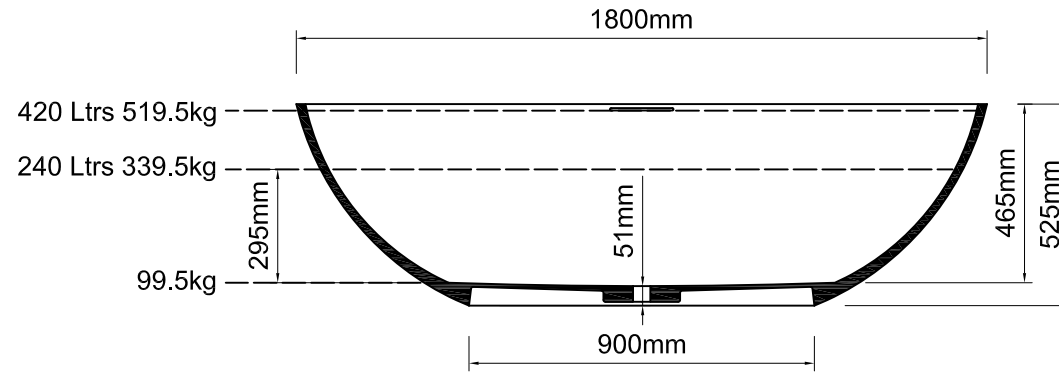
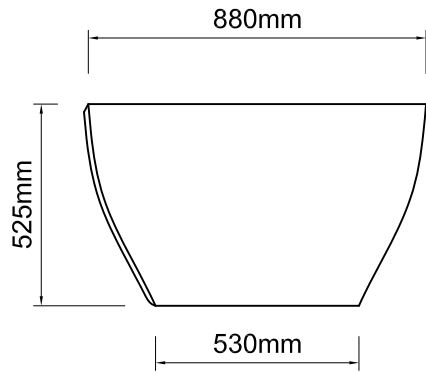


ashton & bentley

Olympia 1800 bath

T 01902 83 74 36
W www.ashtonandbentley.co.uk
E info@ashtonandbentley.co.uk

The Design Studio | Creative Industries Centre
Wolverhampton Science Park | WV10 9TG



Bath weight: 99.5 kilos (approx)

Dimensions
L 1800 x W 880 x H 525

Notes

Taps, accessories and assembly parts are not included and must be purchased separately.

Important

All dimensions listed are nominal. Being cast products they are subject to a size variance of +/- 3% tolerances.

C	13.11.17	"OVERFLOW WHERE REQUIRED" NOTE REMOVED	CADS	CADS
B	17.08.17	BASE OVERFLOW INFORMATION ADDED	CADS	CADS
A	12.05.17	EXTERNAL OVERFLOW ADDED	CADS	CADS
01	28.01.14	DRAWING CREATED	CADS	CADS

REV	DATE	DESCRIPTION	DRAWN	CHECKED
-----	------	-------------	-------	---------

DRAWING TITLE				
Olympia 1800 bath				
SCALE	PAPER SIZE	DATE	DRAWN	CHECKED
1:20	A4	28/01/14	CADS	CADS
DRAWING No				REVISION
OLY-NT-018-01				- C

Inspired by nature

DR Ashton & Bentley 2008-2014