



ashton & bentley

Olympia

T 01902 83 74 36
W www.ashtonandbentley.co.uk
E info@ashtonandbentley.co.uk

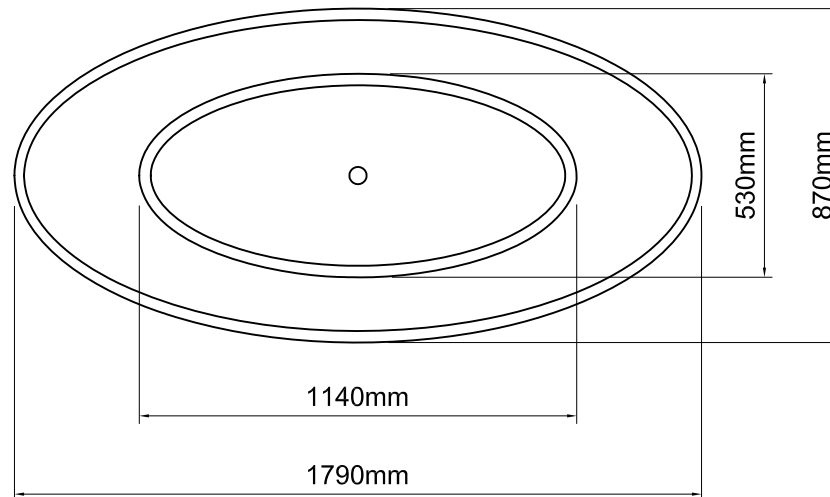
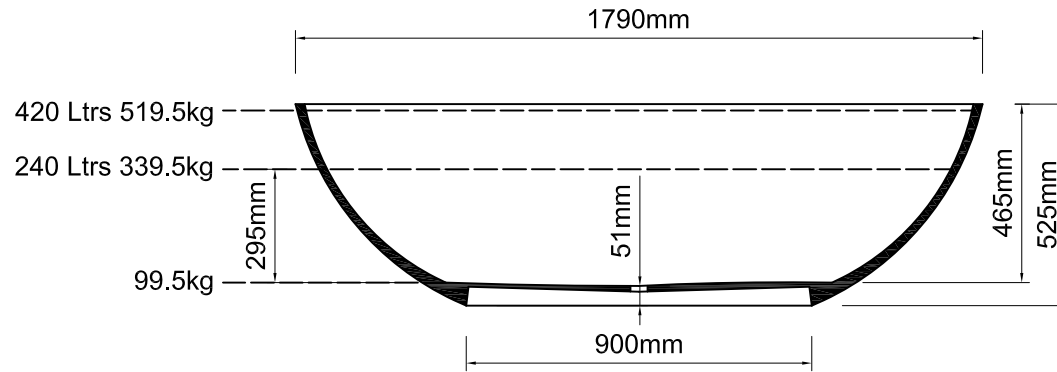
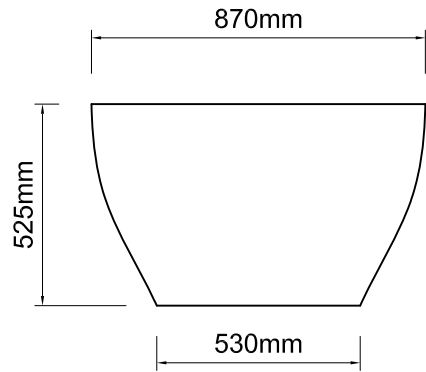
The Design Studio | Creative Industries Centre
Wolverhampton Science Park | WV10 9TG

Notes

Taps, accessories and assembly parts are not included and must be purchased separately.

Important

All dimensions listed are nominal. Being cast products they are subject to a size variance of +/- 3% tolerances.



Bath weight: 99.5 kilos (approx)

Dimensions
L 1790 x W 870 x H 525

REV	DATE	DESCRIPTION	DRAWN	CHECKED
0	28.01.14	DRAWING CREATED	CADS	CADS

DRAWING TITLE
Olympia

SCALE	PAPER SIZE	DATE	DRAWN	CHECKED
1:20	A4	--/--/--	CADS	CADS

DRAWING No	REVISION
OLY-NT-OF-01	- 0

Inspired by nature

DR Ashton & Bentley 2008-2014