



ashton & bentley

Petra 1760 bath

T 01902 83 74 36
W www.ashtonandbentley.co.uk
E info@ashtonandbentley.co.uk

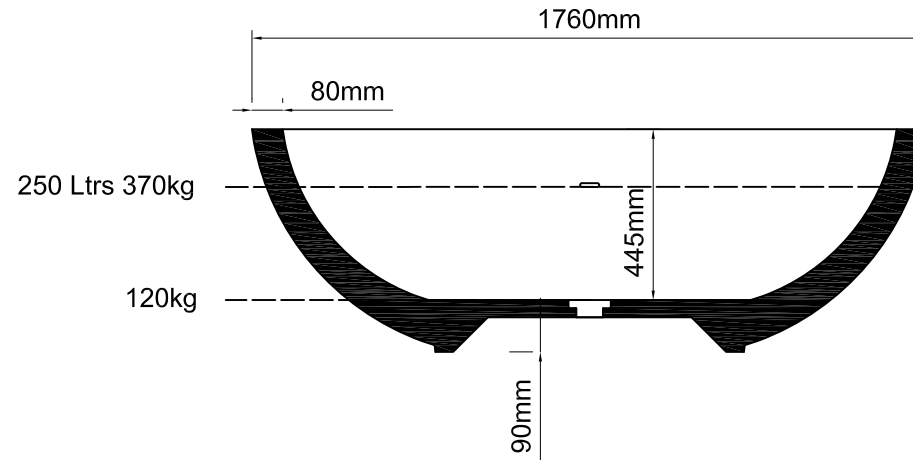
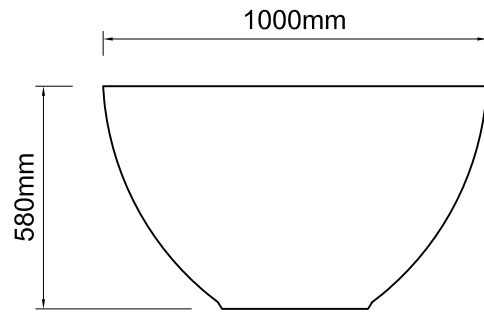
The Design Studio | Creative Industries Centre
Wolverhampton Science Park | WV10 9TG

Notes

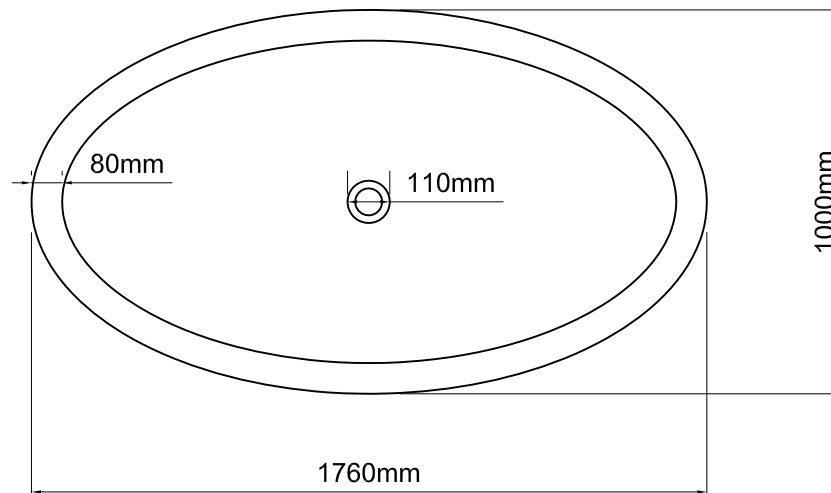
Taps, accessories and assembly parts are not included and must be purchased separately.

Important

All dimensions listed are nominal. Being cast products they are subject to a size variance of +/- 3% tolerances.



Bath weight: 120kg
Dimensions
L 1760 x W 1000 x H 580



D	15/03/18	Bath renamed Petra 1760	MF	MF
C	07/11/17	Wall thickness amended to 50mm, Internal height amended to 445mm, Clearance amended to 90mm, Waste aperture detail amended, Renamed to Petra 1760 bath. Weight added	NN	MF
B	20/10/17	Water volumes added	JH	MF
A	12/10/17	Bath weight added	MF	MF
-	05/10/17	Drawing created	MF	MF
REV	DATE	DESCRIPTION	DRAWN	CHECKED

DRAWING TITLE

Petra 1760 bath

SCALE	PAPER SIZE	DATE	DRAWN	CHECKED
1:20	A4	05/10/17	CADS	CADS

DRAWING No	REVISION
PET-MI-NT-01	- D

Inspired by nature

DR Ashton & Bentley 2008-2014