

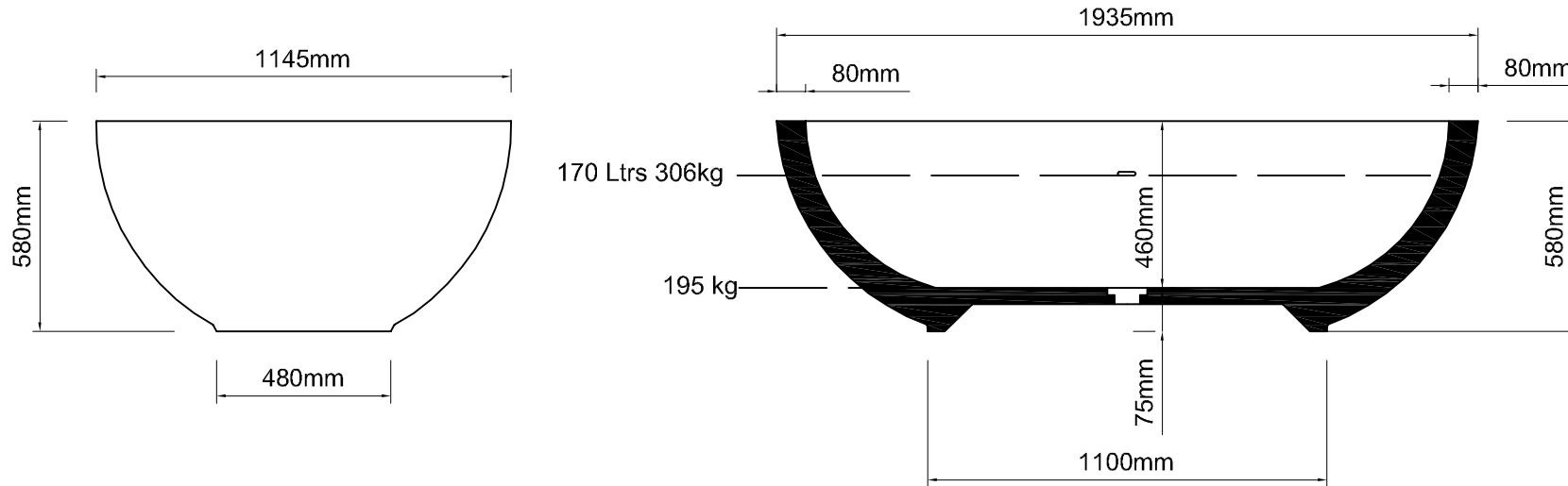


ashton & bentley

# Petra 1935 bath

T 01902 83 74 36  
W www.ashtonandbentley.co.uk  
E info@ashtonandbentley.co.uk

The Design Studio | Creative Industries Centre  
Wolverhampton Science Park | WV10 9TG



### Notes

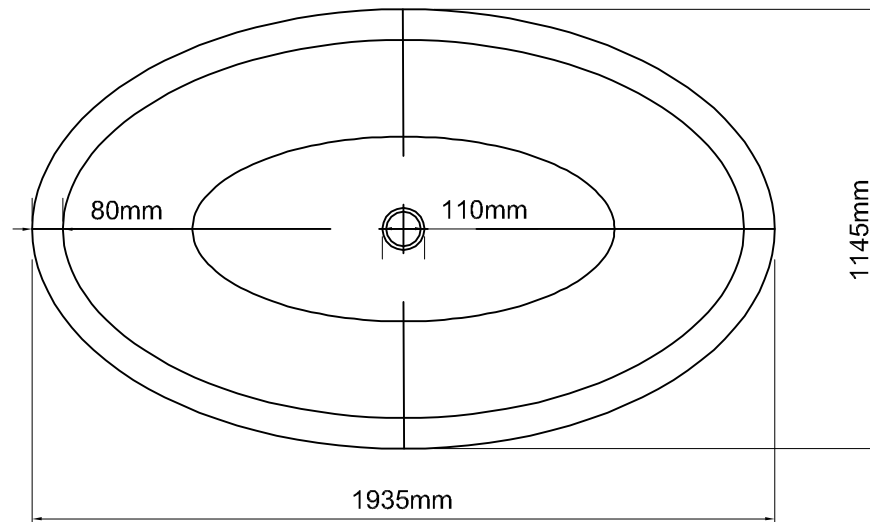
Taps, accessories and assembly parts are not included and must be purchased separately.

### Important

All dimensions listed are nominal. Being cast products they are subject to a size variance of +/- 3% tolerances.

Bath weight: 195 kilos (approx)

Dimensions  
L 1935 x W 1145 x H 580



F	27/02/19	Base footprint amended to 1100 x 480mm	LIF	LIF
E	19/05/16	Bath renamed Petra 1935	LIF	LIF
D	07/11/17	Bath weight amended to 195kg. Waste aperture depth amended. Wall thickness amended to 80mm. Internal height amended to 460mm. Renamed to Petra 1935 bath	KN	LIF
C	08/10/17	Bath profile revised back to original form general amendments to dimensions	JH	LIF
B	06/05/16	Bath dimensions and profile amended	LIF	LIF
A	01/08/16	145mm strip added. Internal profile amended.	LIF	LIF
*	19/05/16	Drawing created	LIF	LIF

REV	DATE	DESCRIPTION	DRAWN	CHECKED
-----	------	-------------	-------	---------

DRAWING TITLE

Petra 1935 bath

SCALE	PAPER SIZE	DATE	DRAWN	CHECKED
1:20	A4	19/05/16	CADS	CADS

DRAWING No.	REVISION
PET-NT-01	- F

Inspired by nature

DR Ashton & Bentley 2008-2014