



ashton & bentley

1500 Organic Techni

T 01902 83 74 36
W www.ashtonandbentley.co.uk
E info@ashtonandbentley.co.uk

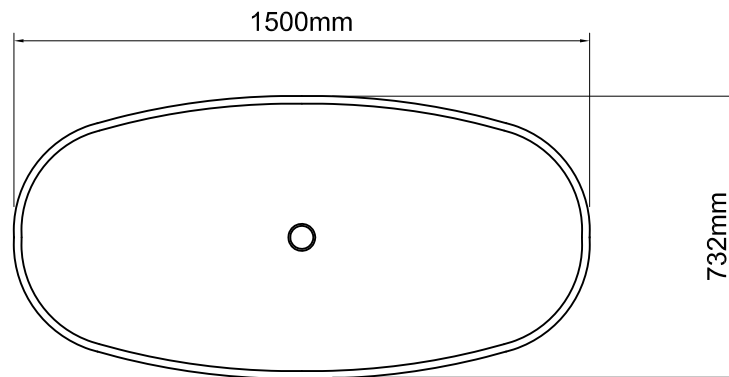
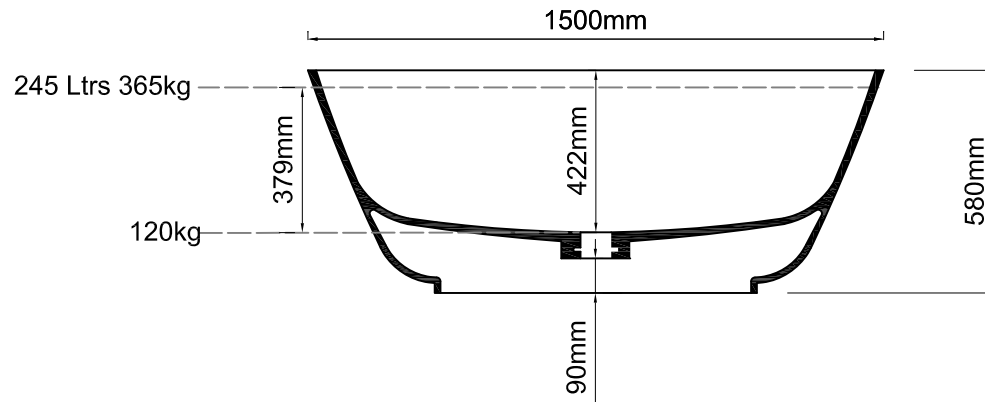
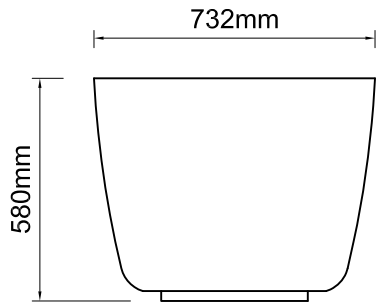
The Design Studio | Creative Industries Centre
Wolverhampton Science Park | WV10 9TG

Notes

Taps, accessories and assembly parts are not included and must be purchased separately.

Important

All dimensions listed are nominal.
Being cast products they are subject to a size variance of +/- 2% tolerances.



Bath weight: 120 kilos approx

Dimensions

L 1500 x W 732 x H 580

| REV | DATE | DESCRIPTION | DRAWN | CHECKED |
|-----|----------|---|-------|---------|
| C | 18.10.17 | NAME CHANGED TO 1500 ORGANIC TECHNI | CADS | CADS |
| B | 24.06.17 | BASE OVERFLOW DETAIL ADDED. BATH HEIGHT REDUCED TO 580MM | CADS | CADS |
| A | 24.03.16 | BATH WEIGHT AND WATER VOLUME INFO ADDED | CADS | CADS |
| 0 | 04.06.15 | DRAWING CREATED | CADS | CADS |

| DRAWING TITLE | | | | |
|---------------------|------------|----------|-------|----------|
| 1500 Organic Techni | | | | |
| SCALE | PAPER SIZE | DATE | DRAWN | CHECKED |
| 1:20 | A4 | 04/06/15 | CADS | CADS |
| DRAWING No | | | | REVISION |
| 1500FS-01 | | | | - C |

Inspired by nature

DR Ashton & Bentley 2008-2014