



ashton & bentley

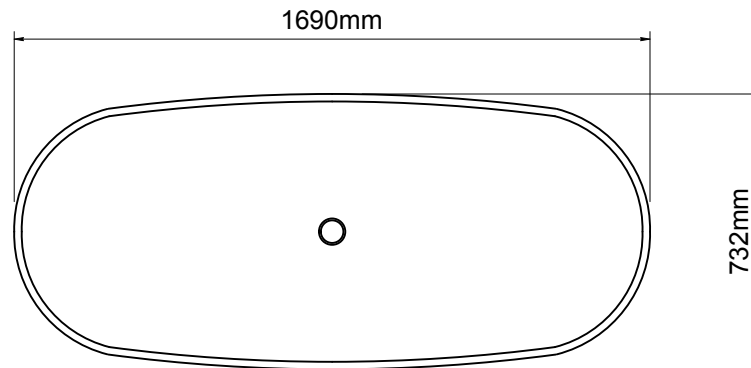
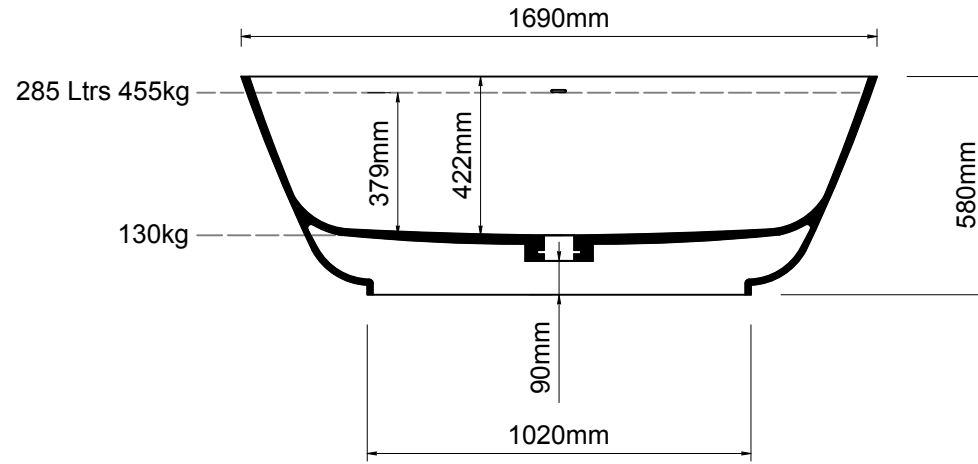
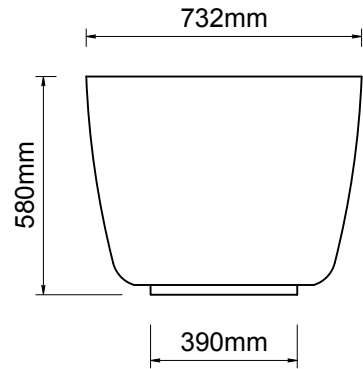
1690 Organic Techni

T 01902 83 74 36
W www.ashtonandbentley.co.uk
E info@ashtonandbentley.co.uk

The Design Studio | Creative Industries Centre
Wolverhampton Science Park | WV10 9TG

Notes
Taps, accessories and assembly parts are not included and must be purchased separately.

Important
All dimensions listed are nominal.
Being cast products they are subject to a size variance of +/- 2% tolerances.



Bath weight: 130 kilos approx

Dimensions
L 1690 x W 732 x H 580
Weight 130Kg

D	160420	WATER CAPACITY AND WEIGHT UPDATED	MF	MF
C			CADS	CADS
B	19.10.17	NAME CHANGED TO 1690 ORGANIC TECHNI	CADS	CADS
A	24.08.17	BASE OVERFLOW W/IC ADDED BATH HEIGHT REDUCED TO 580mm	CADS	CADS
0	26.10.16	DRAWING CREATED	CADS	CADS
REV	DATE	DESCRIPTION	DRAWN	CHECKED

DRAWING TITLE				
1690 Organic Techni				
SCALE	PAPER SIZE	DATE	DRAWN	CHECKED
1:20	A4	26/10/16	CADS	CADS
DRAWING NO				REVISION
1690FS-01-215L				- D