

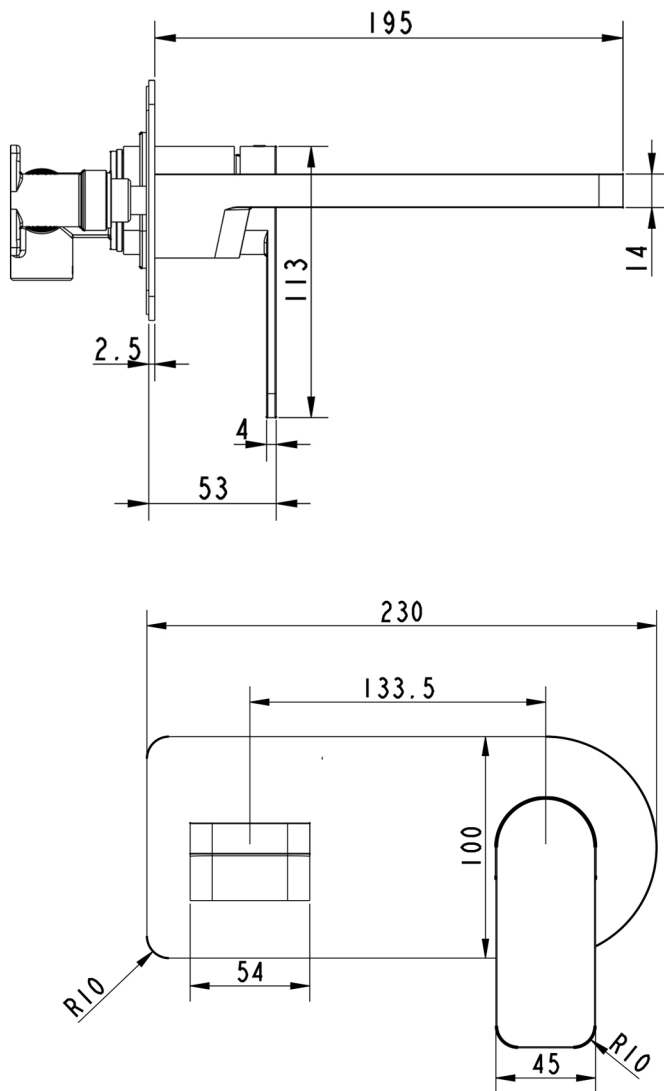


Technical Data Sheet

Product range: AXEL

Product code: 74273MWH, 74273MBH, 74273

Finishes Available: Chrome, Matt Black, Matt White



Min Pressure:

MP 0.5

Approvals:

WRAS

Connections:

G1/2"

Warranty:

15 Years (5 on cartridges)

Flow Rate

1Bar: 10.82L/min

2Bar: 15.12L/min

3Bar: 18.59L/min