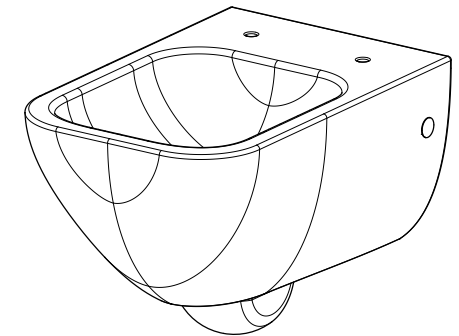
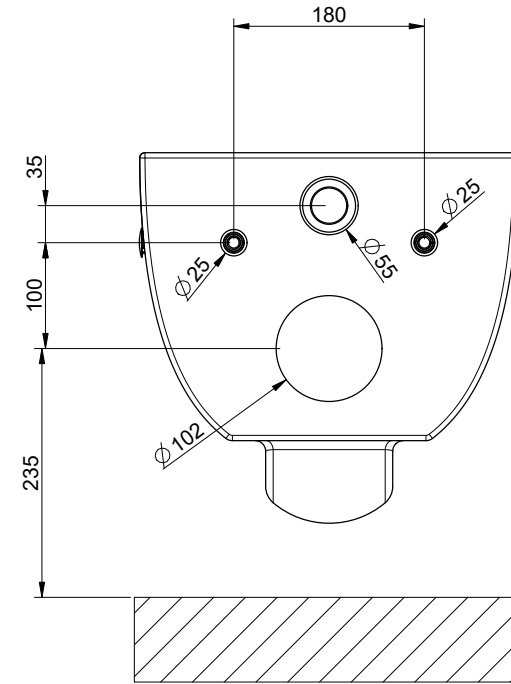
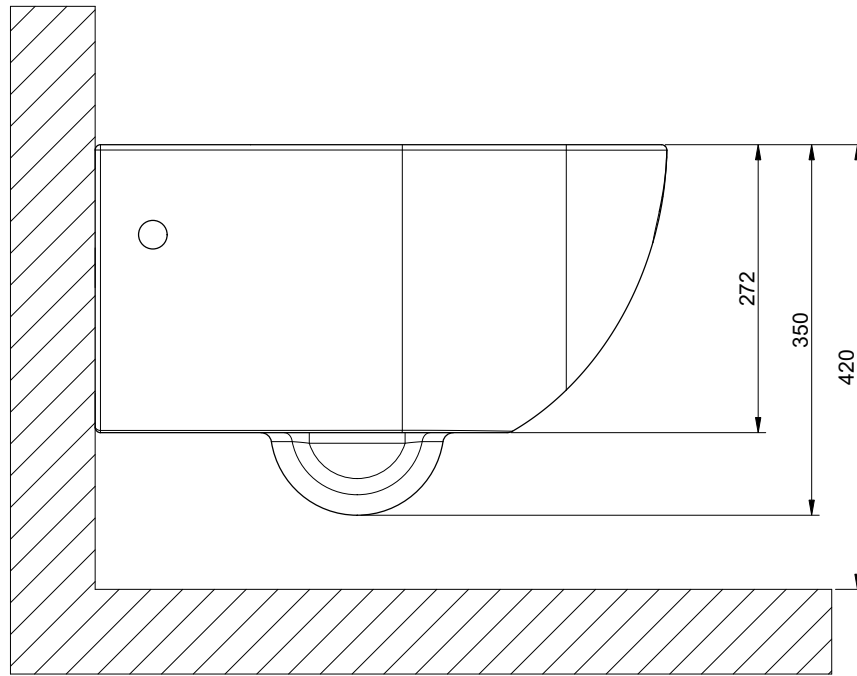
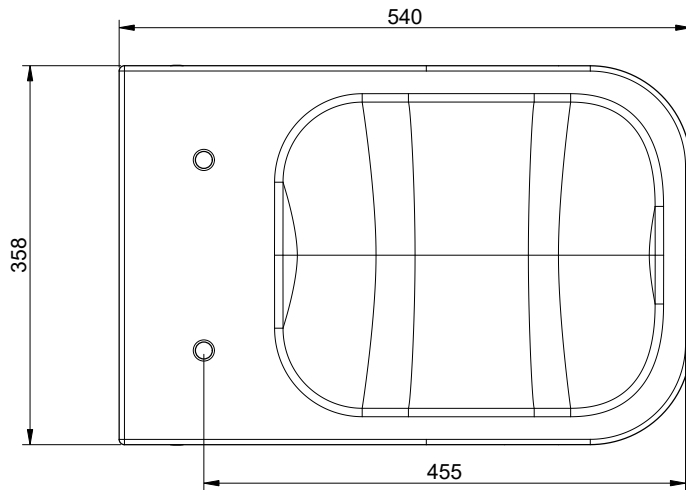


Le misure sono soggette alle tolleranze definite dalle relative norme di riferimento / Measures are subject to tolerances as provided by the relevant standards

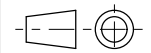


GESSI

GOCCIA 39114

WC SOSPESO RIMLESS SENZA SEDILE

Formato **A4**



Dis.: GPF391140000G000

Gessi S.p.A. Parco Gessi, 13037 Serravalle Sesia (Vercelli) Italy Tel. 0039 0163 454111 Fax. 0039 0163 453150 www.gessi.com e-mail: gessi@gessi.it

This drawing by its legislation cannot be disclosed or reproduced without a written authorization released by GESSI S.p.A. - 2022 Copyright® GESSI S.p.A.