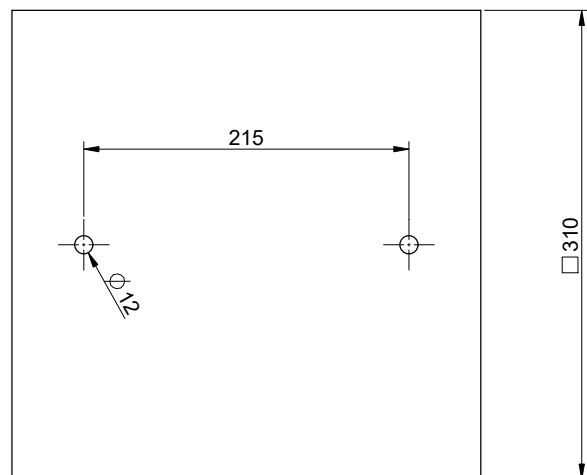
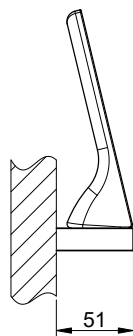
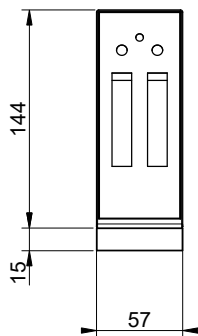
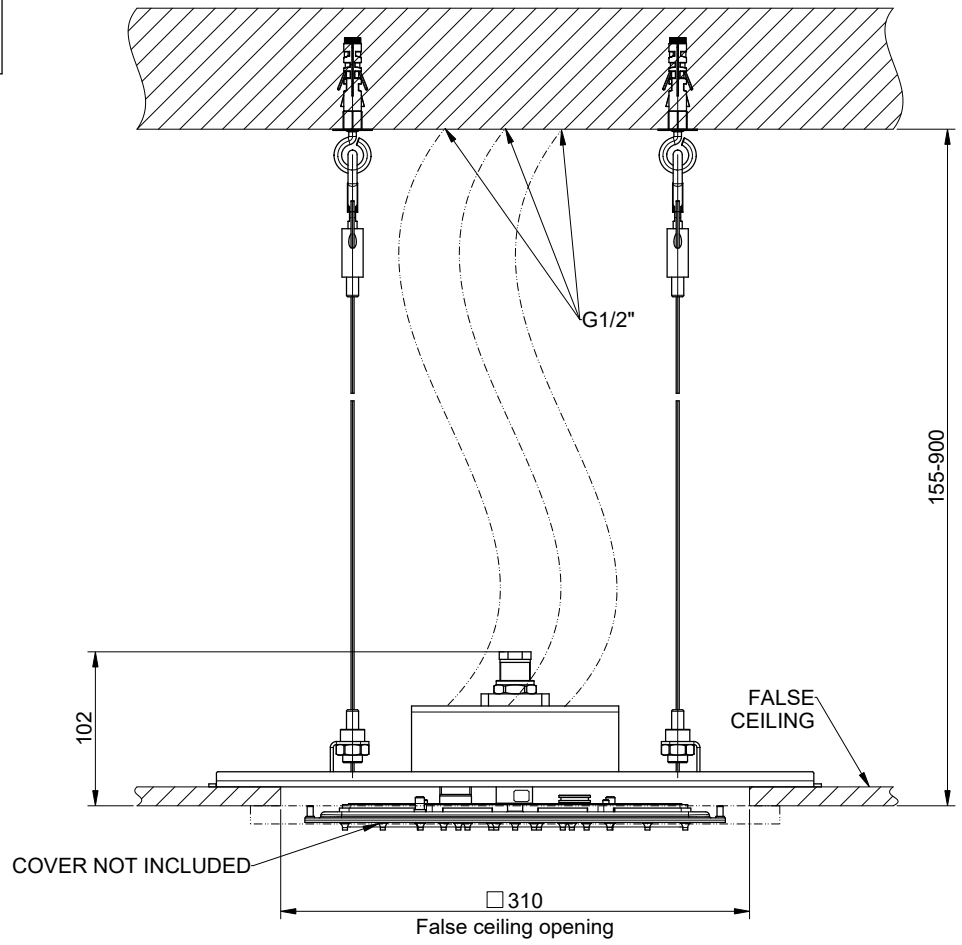




12V DC



**GESSI**

**ACCIAIO 57827**

SOFFIONE INCASSO 350X350 MULTIFUNZIONE COLOUR

Formato **A4**



Dis.: GPF5782700000G000

Gessi S.p.A. Parco Gessi, 13037 Serravalle Sesia (Vercelli) Italy Tel. 0039 0163 454111 Fax. 0039 0163 453150 www.gessi.com e-mail: gessi@gessi.it

*This drawing by its legislation cannot be disclosed or reproduced without a written authorization released by GESSI S.p.A. - 2017 Copyright® GESSI S.p.A.*