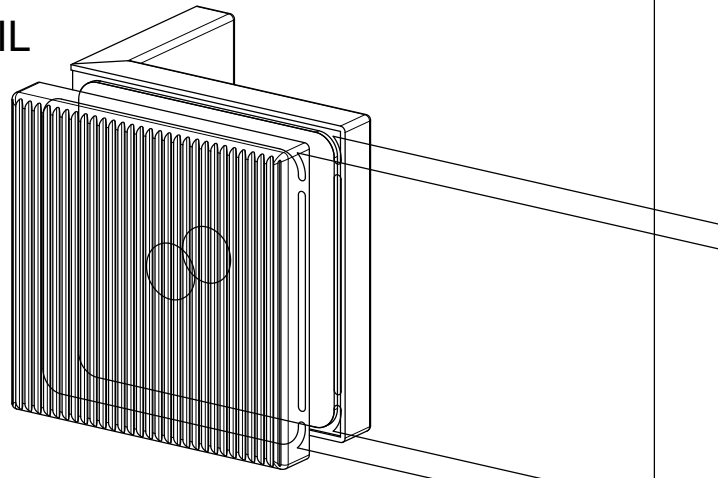

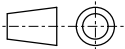


**TEXTURE DETAIL**



	<b>SHOWER G 67506</b>	Formato <b>A4</b>	
	MORSETTO MURO-VETRO L = 60 RIGATO	Dis.: GPF6750610000G000	
Gessi S.p.A. Parco Gessi, 13037 Serravalle Sesia (Vercelli) Italy Tel.0039 0163 454111 Fax.0039 0163 453150 www.gessi.com e-mail:gessi@gessi.it <i>This drawing by its legislation cannot be disclosed or reproduced without a written authorization released by GESSI S.p.A. - 2023 Copyright® GESSI S.p.A.</i>			