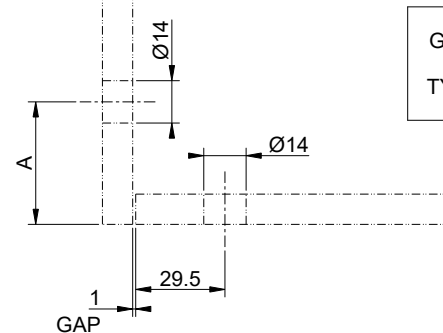
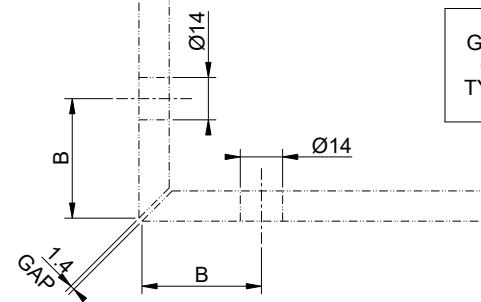


INSTALLATION TYPE A



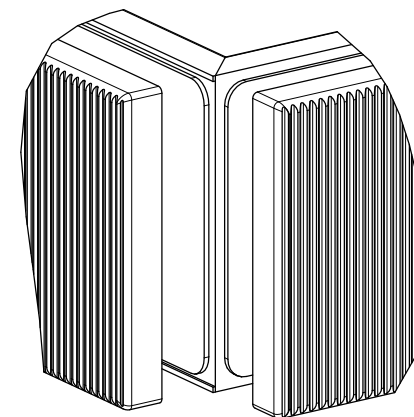
GLASS CUT TYPE A	GLASS THICKNESS	A
	8	38.5
10	40.5	

INSTALLATION TYPE B



GLASS CUT TYPE B	GLASS THICKNESS	B
	8	37.5
10	39.5	

TEXTURE DETAIL



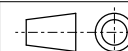
**GESSI**

**SHOWER G 67507**

MORSETTO VETRO-VETRO RIGATO

Formato

**A4**



Dis.: GPF6750710000G000

Gessi S.p.A. Parco Gessi, 13037 Serravalle Sesia (Vercelli) Italy Tel.0039 0163 454111 Fax.0039 0163 453150 www.gessi.com e-mail:gessi@gessi.it

*This drawing by its legislation cannot be disclosed or reproduced without a written authorization released by GESSI S.p.A. - 2023 Copyright® GESSI S.p.A.*