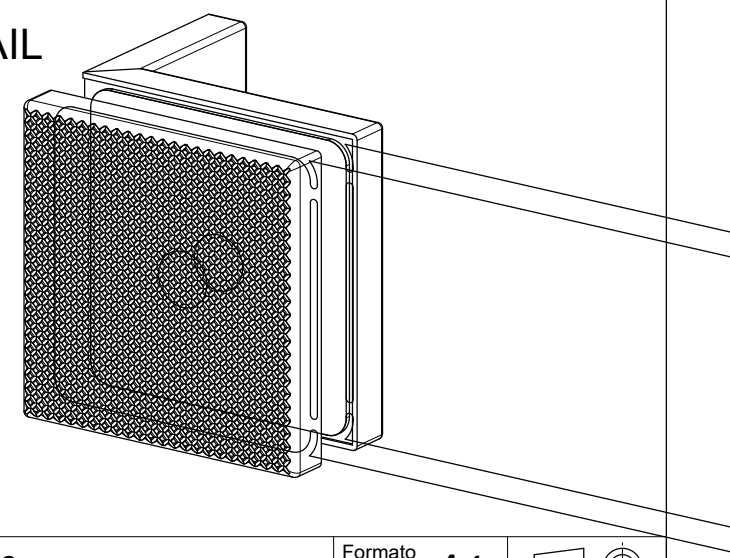


TEXTURE DETAIL



	<p>SHOWER G 67606</p> <p>MORSETTO MURO-VETRO L = 60 DIAMANTE</p>	<p>Formato A4</p>	
		<p>Dis.: GPF6760610000G000</p>	
<p>Gessi S.p.A. Parco Gessi, 13037 Serravalle Sesia (Vercelli) Italy Tel.0039 0163 454111 Fax.0039 0163 453150 www.gessi.com e-mail:gessi@gessi.it</p> <p><i>This drawing by its legislation cannot be disclosed or reproduced without a written authorization released by GESSI S.p.A. - 2023 Copyright® GESSI S.p.A.</i></p>			