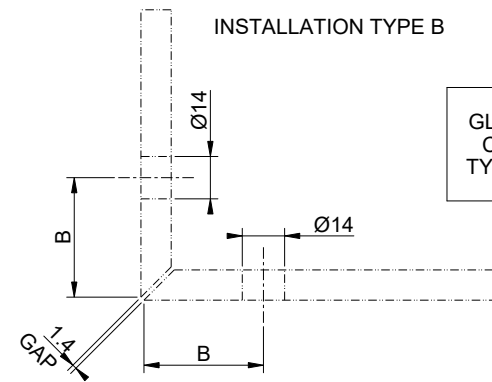
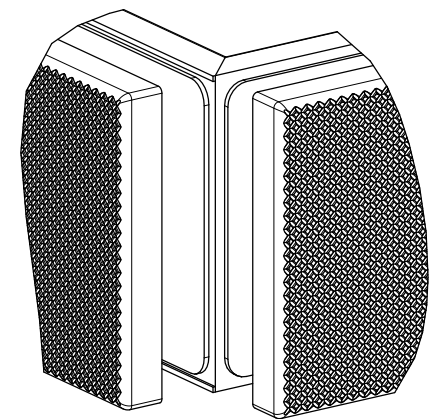


GLASS CUT TYPE A	GLASS THICKNESS	A
	8	38.5
	10	40.5



GLASS CUT TYPE B	GLASS THICKNESS	B
	8	37.5
	10	39.5

TEXTURE DETAIL



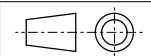
GESSI

SHOWER G 67607

MORSETTO VETRO-VETRO DIAMANTE

Formato

A4



Dis.: GPF6760710000G000

Gessi S.p.A. Parco Gessi, 13037 Serravalle Sesia (Vercelli) Italy Tel.0039 0163 454111 Fax.0039 0163 453150 www.gessi.com e-mail:gessi@gessi.it

This drawing by its legislation cannot be disclosed or reproduced without a written authorization released by GESSI S.p.A. - 2023 Copyright® GESSI S.p.A.