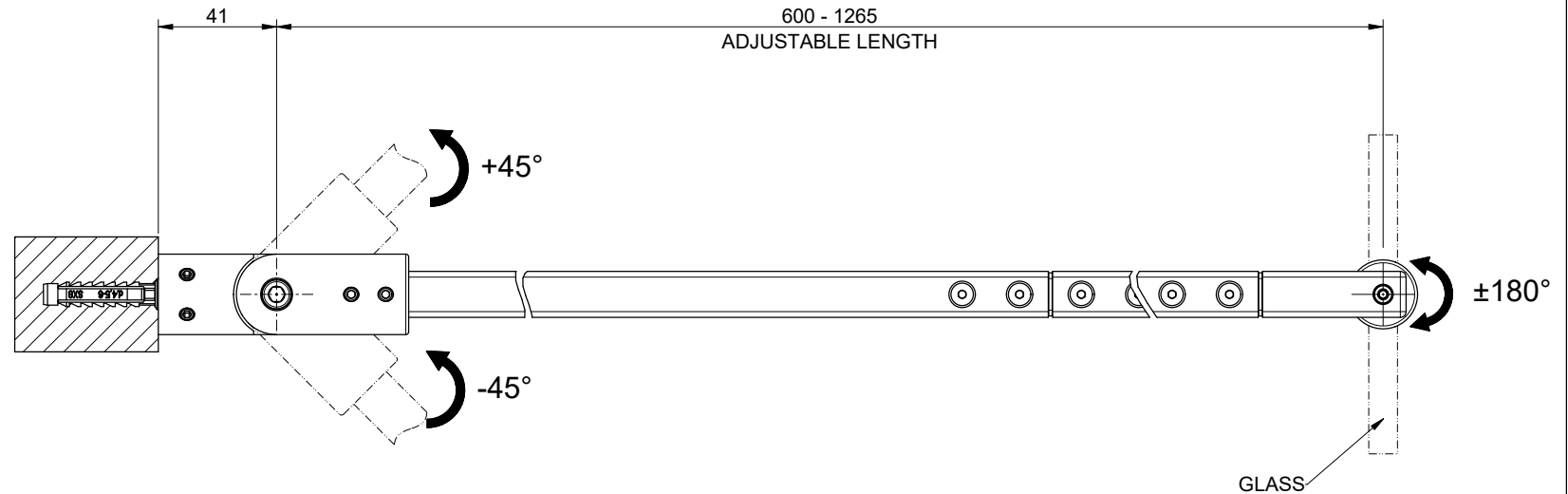
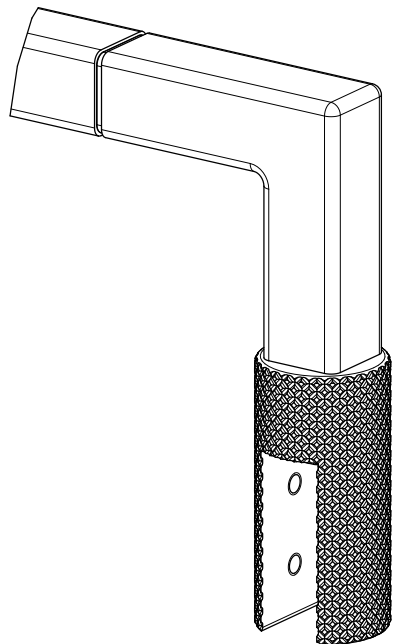


TEXTURE DETAIL



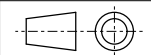
GESSI

SHOWER G 67673

BRACCIO FERMA VETRO L = 1250 REGOLABILE DIAMANTE

Formato

A4



Dis.: GPF6767300000G000

Gessi S.p.A. Parco Gessi, 13037 Serravalle Sesia (Vercelli) Italy Tel. 0039 0163 454111 Fax. 0039 0163 453150 www.gessi.com e-mail: gessi@gessi.it

This drawing by its legislation cannot be disclosed or reproduced without a written authorization released by GESSI S.p.A. - 2022 Copyright® GESSI S.p.A.