

HiB

MAKING
BATHROOMS
BEAUTIFUL

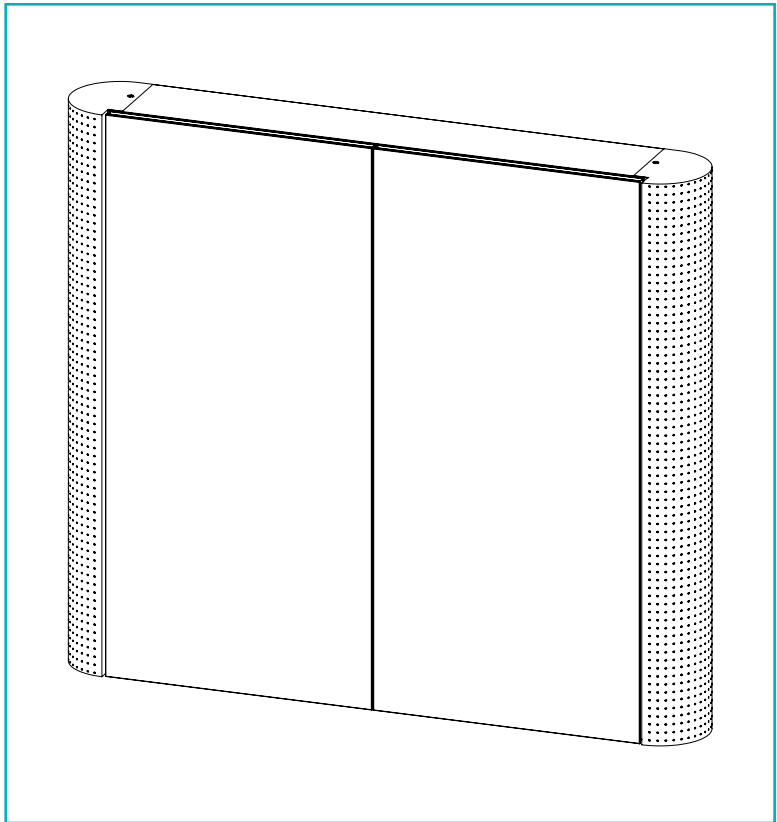
BASTILLE

Bastille 60 Black Chrome: Art No 58000

Bastille 60 Brushed Brass: Art No 58200

Bastille 80 Black Chrome: Art No 58100

Bastille 80 Brushed Brass: Art No 58300



Thank you for purchasing this HiB product.

Please read through these instructions carefully and refer back to them during installation to ensure that your product is fitted safely and that it retains its high quality finish.

Fitting Instructions

Electrical Safety Information

HiB recommends that all electrical bathroom products must be installed in accordance with current building and wiring regulations.

If in doubt please contact an electrician.

Before drilling ensure that there are no hidden cables or pipes in the wall.

Warnings for Safe Use

- This product is intended for Domestic Use only.
- Please read the instructions and warnings carefully before installing the product and ensure this document is kept with the product for future reference to ensure product longevity and in the interest of safety.
- If you give the product to another person, please give them this manual as well.
- If any modification is made it will invalidate the warranty and may render the product unsafe.
- This product is IP44 rated and suitable for installation in Zones 2 and Outside Zones according to the IEE regulations.
- It is not suitable for use in saunas, steam rooms and shower cubicles.
- Appropriate circuit protection should be available for the product.
- When drilling use appropriate eye protection.
- The use of a Residual Current Device (RCD) is advised for any power tools used during the installation of this product.
- Take suitable precautions when handling glass.
- Beware of hidden cables or pipes. Take care if drilling on tiled surfaces in case the drill slips.
- Always switch off the electrical supply to the product at the mains during installation and maintenance.
- It is recommended that this product is installed by a person who is able to meet the level of competence required in order to comply with relevant regulations. If in doubt consult a qualified tradesperson.
- Do not enter IP44 box unless competent and item is isolated from mains.
- Do not use if glass is broken or unsafe.
- Do not use if any electrical wires appear damaged or degraded.
- Do not overload shelves or unit.
- This product is designed for installation into a brick or masonry block wall, if mounting onto other substrate ensure appropriate fixing and batons (if required) are used and the load bearing of the wall is sufficient.
- It is recommended that this product is installed by two people.
- Dispose of packaging in accordance to local authority regulations.
- At end of life dispose of item according to local authority regulations.

This product contains a light source of energy efficiency class **F**



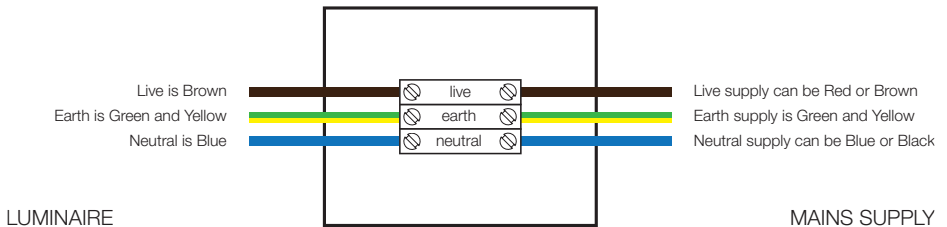
Fig 1. - Zonal Diagram

All installations must comply with guidelines which are based on a zonal concept and must be followed to ensure the safe installation of electrical appliances in the bathroom.

These regulations apply to domestic installations only. Installations must be made in accordance with the current IEE wiring regulations and relevant building regulations.

This product is IP44 rated and is suitable for installation in zones: **2 & Outside Zone**

Wiring Diagram



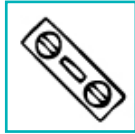
What's in the Box?

- Bastille cabinet
- Glass shelves
- Hanging bracket
- Fittings pack

Tools Required



Pencil



Spirit Level



Drill



Drill bit



Screwdriver

WARNING: In order to prevent falling down this product must be used with the wall attachment device provided

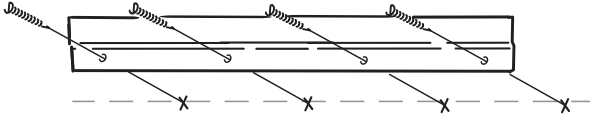


Fig 2. - Hanging Bracket

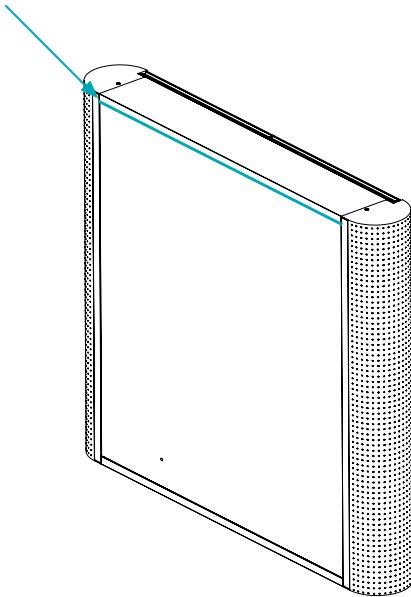


Fig 3. - Mounting Point

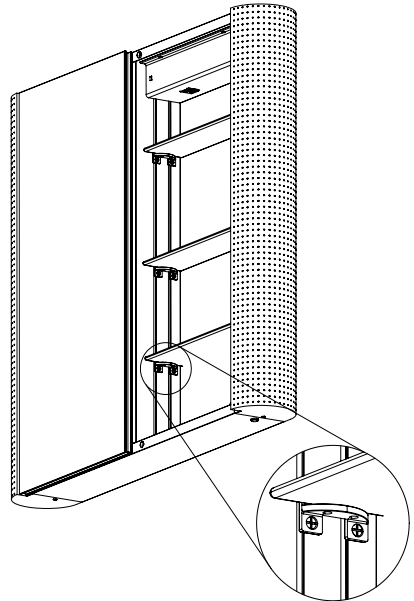
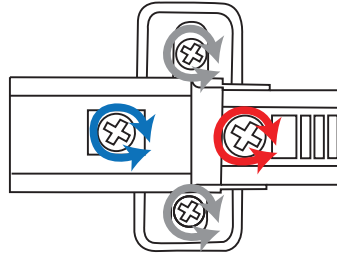
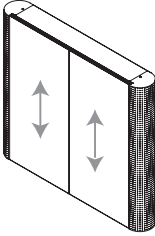


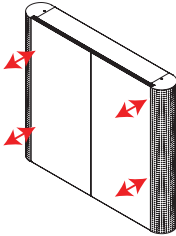
Fig 4. - Shelf Bracket

Adjustment

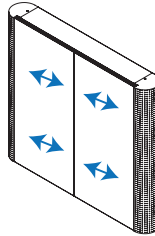
■ Move door(s) up/down



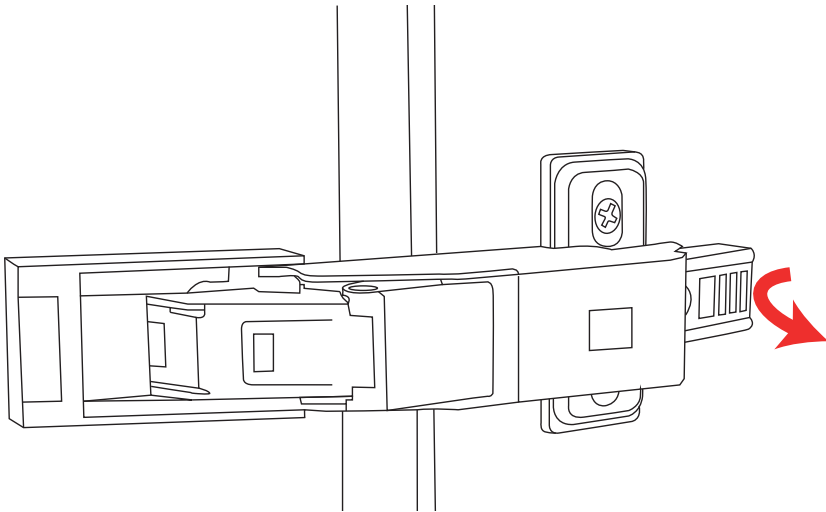
■ Move door away/towards the cabinet



■ Move door(s) left/right



Door Adjustment



Door Removal

Before installation, ensure the domestic electrical mains supply to which the cabinet is to be connected is turned off. Before drilling, ensure that there are no hidden cables or pipes in the wall.

It is recommended that this product is installed by two people.

1. Position the cabinet in a suitable location, *according to the zonal diagram Fig. 1*, ensuring that the mains supply cable is within reach of the cable connection point of the cabinet. Carefully mark the top of the cabinet when in the desired position using a soft pencil, ensuring it is level.
2. Remove the cabinet from the wall and place on to a soft surface.
3. Using a spirit level, mark a horizontal line below the pencil mark for the top of the cabinet. Align the top of the hanging bracket with the line and carefully mark the position of the holes using a soft pencil, *see Fig. 2*
4. Before drilling, ensure there are no hidden cables or pipes behind the mounting point. Using a suitable drill bit, drill holes in the marked positions to a suitable depth.
5. Insert wall plugs level with the surface of the wall. If fitting to a tiled surface, wall plugs should be inserted below the tile surface to avoid cracking. **NB. For plasterboard walls, specialist fixings should be purchased from any DIY or hardware store.**
6. Fix the bracket to the wall using the screws provided.
7. Temporarily hang the cabinet on the brackets, *see Fig. 3*, to mark the position of the internal fixing hole, then remove the cabinet. Using a suitable drill bit, drill a hole and insert a wall plug as per stage 3.
8. Connect the cable at the rear of the cabinet to the mains supply cable using a suitable terminal block *according to the wiring diagram on page 3*.
9. Rehang the cabinet in position and secure the base of the cabinet with the supplied screw(s) and screw cap(s).
10. Adjust the shelf supports provided by loosening the securing screw and slide up or down to the required position inside of the cabinet. Tighten bracket securing screw when finished. Slide the glass shelf into the brackets when finished and secure in place by tightening the securing screws, *see Fig 4*.
11. Switch the mains supply back on.

To switch on/off

1. Wave hand past the sensor switch located under the bottom right of the cabinet, *see Fig. 5.*
2. Heated pad is on when the cabinet is illuminated.

To change colour temperature

1. Hold hand below the sensor to cycle through the colour temperatures.

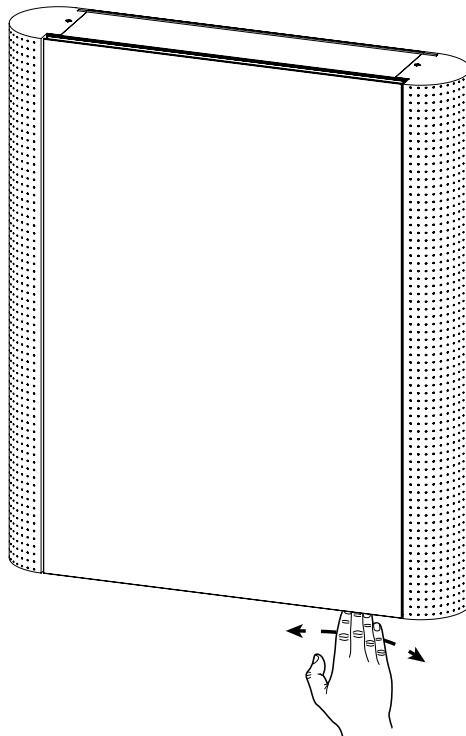


Fig 5. - Operation

Charging Socket

Charging socket is suitable for charging and powering electric razors, trimmers and toothbrushes. *NB. On first use of the charger socket, inserting the plug may prove to be stiff. Reasonable force may be required to fully insert the plug. After a few uses, stiffness will ease and the socket will function as normal.*

To replace spare parts, access to the IP44 electrical box may be needed.

Before accessing, ensure the domestic electrical mains supply to which the cabinet is connected is turned off.

HiB recommends that door removal and replacement is carried out by two people, with one person supporting the door at all times.

1. Keeping the door supported, release the hinges by pulling the tab at the back of each hinge (Page.6). Place the door on a soft flat surface.
2. Loosen but do not remove the screws supporting the top shelf and lower the shelf by approximately 5cm. Retighten the screws to secure the shelf in place.
3. Loosen but do not remove the screws supporting the top hinge bracket and slide the bracket down to it's lowest position.
4. remove the retaining screws holding the electrical box in place. The electrical box will now be allowed to swing fully open.

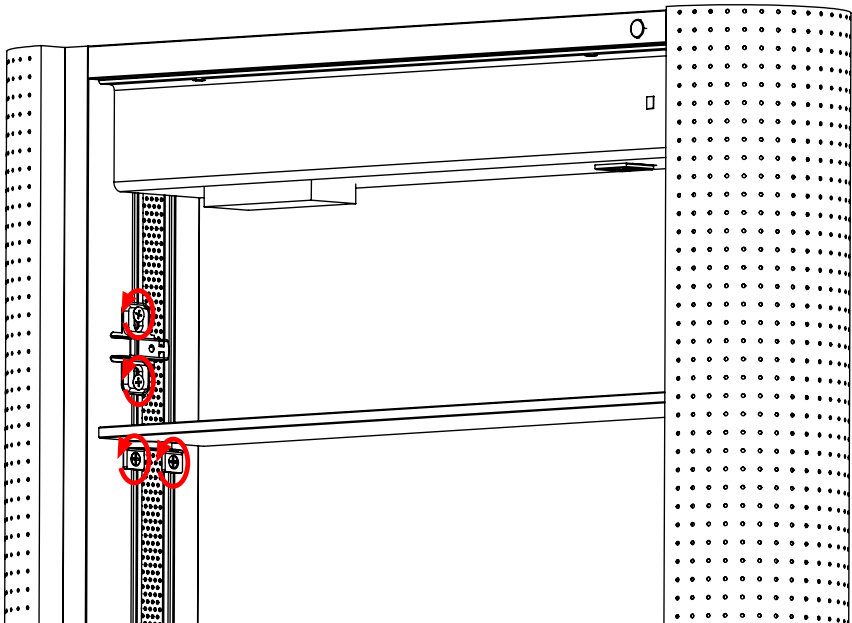


Fig 6. - Loosening Shelf and Hinge Brackets

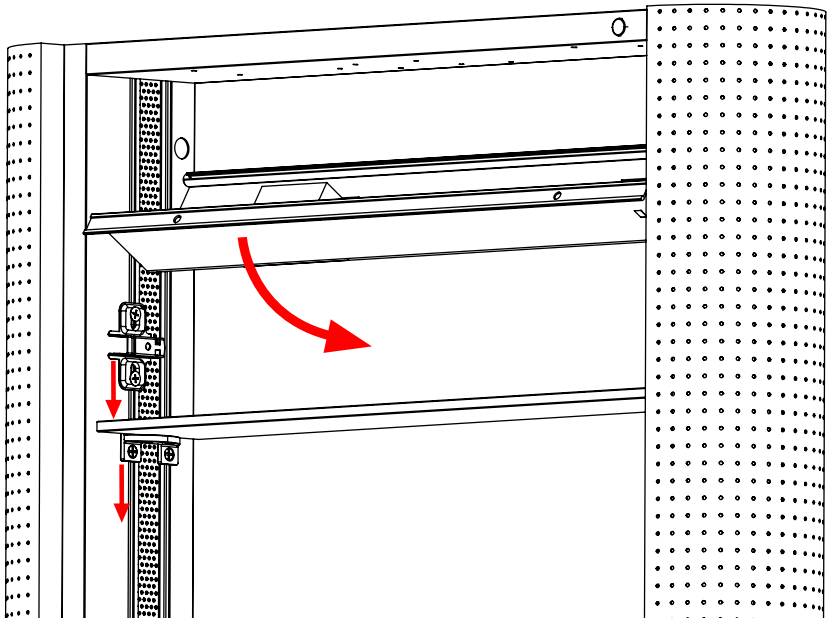


Fig 7. - Electrical Box Access

Care

To preserve the high quality finish of your HiB product, please ensure you regard the following care and cleaning recommendations:

- Avoid leaving excessive standing and surface water on the product for prolonged periods of time.
- Clean the product with water and a soft cloth, a mild detergent may be used if required. Ensure any excess moisture is removed after use.
- **Do not use** abrasive sponges or cleaning agents.

Aftercare

In the unlikely event that this product should fail please contact the retailer from which the item was purchased.



WEEE compliance

Must not be mixed with
general household waste

T: +44 (0)20 8441 0352 F: +44 (0)20 8441 0219 E: sales@hib.co.uk hib.co.uk

Building 3, North London Business Park, Oakleigh Road South, New Southgate, London. N11 1GN

©HIB Copyright: No part of this document may be reprinted or duplicated without HIB consent. All sizes and measurements are approximate, but we do try and make sure they are as accurate as possible. In the interest of continuous product development, HIB reserves the right to alter specifications as necessary. E & OE.