

Vantage

Thank you for purchasing this Novum product.

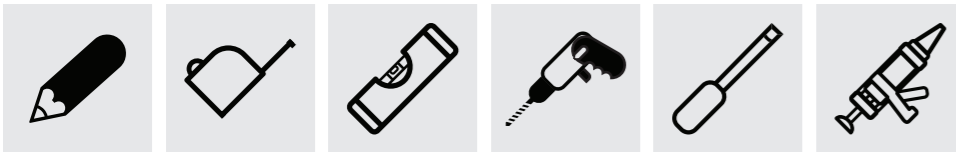
Please read through these instructions carefully and refer back to them during installation to ensure that your product is fitted safely and that it retains its high quality finish.

Please retain this leaflet for future reference.

Before drilling, ensure there are no hidden cables or pipes in the wall.

Tools Required for Installation

- | | |
|-------------------------|--------------------------------|
| 1. Pencil | 4. Drill & Suitable Drill Bits |
| 2. Tape Measure / Ruler | 5. Screw Driver |
| 3. Level | 6. Silicone |



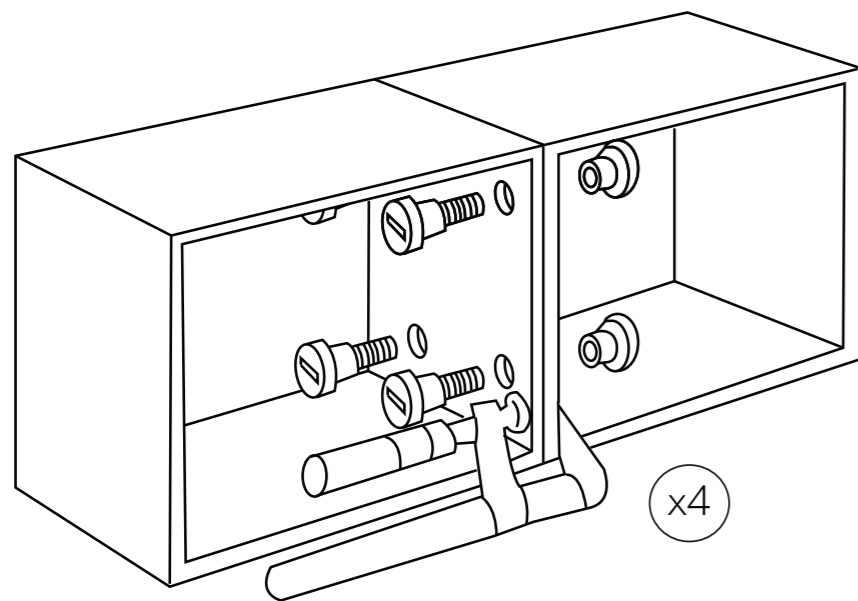
Installation

Please ensure the wall is suitable for wall hung furniture. For stud wall installations, add extra timber support into the stud wall prior to finishing the wall to improve strength.

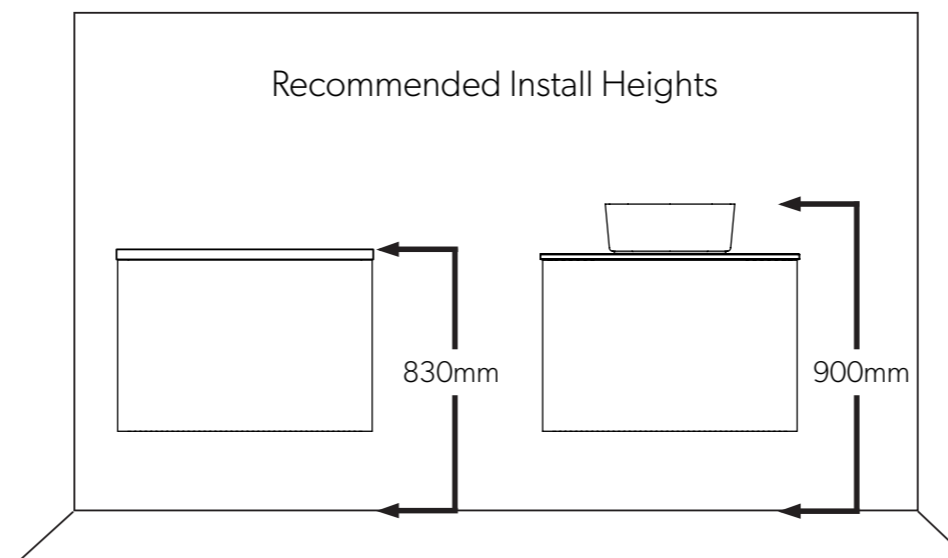
HiB recommends removing the drawers prior to installation.

- Vanity units can be installed as either standalone or joined together to create a larger run of furniture. For standalone installations, skip to Step 2.
 - Carefully unpack and place both vanity units down onto a flat and level surface. Position both units next to each other so that they line up correctly, then secure them together with clamps.
 - Drill four evenly spaced holes right through the carcass sides to be connected. To prevent any break-out when drilling, a sacrificial piece of wood can be secured over the exit location of the drill before drilling.
 - Secure together with the connecting bolts provided. When the two units are joined securely with the connecting bolts, remove the clamps.
- Position the unit in a suitable location. Taking note of the recommended install height below, carefully mark the desired position of the unit using a soft pencil.
- Using a spirit level, mark a horizontal line below the pencil mark, taking into account the location of the furniture hangers. Place the brackets on the pencil line paying attention to the distance between the furniture hangers. Carefully mark the position of the holes using a soft pencil.
- Before drilling, ensure there are no hidden cables or pipes behind the mounting points.** Using a suitable drill bit, drill holes in the marked positions to a suitable depth. Insert wall plugs level with the surface of the wall. If fitting to a tiled surface, wall plugs should be inserted below the tile surface to avoid cracking. **NB. For plasterboard walls, specialist heavy duty fixings should be purchased from any DIY or hardware store.** Fix the brackets to the wall using the screws provided
- Hang the furniture unit, ensuring the claws on the hangers are securely located on the wall brackets.
- Using a spirit level, make the unit level by adjusting the top screw on the wall hangers. Once straight, tighten the bottom screw until the unit is secure against the wall.
- Mount the basin / countertop onto the furniture using a fine bead of silicone to seal it to the unit and wall edges.
- If necessary, the drawer runners can be adjusted in order to fine tune their alignment. Ensure the securing screw on the underside of the drawer runner is removed before adjusting the drawer runner and the screw is re secured when adjustments have been completed.

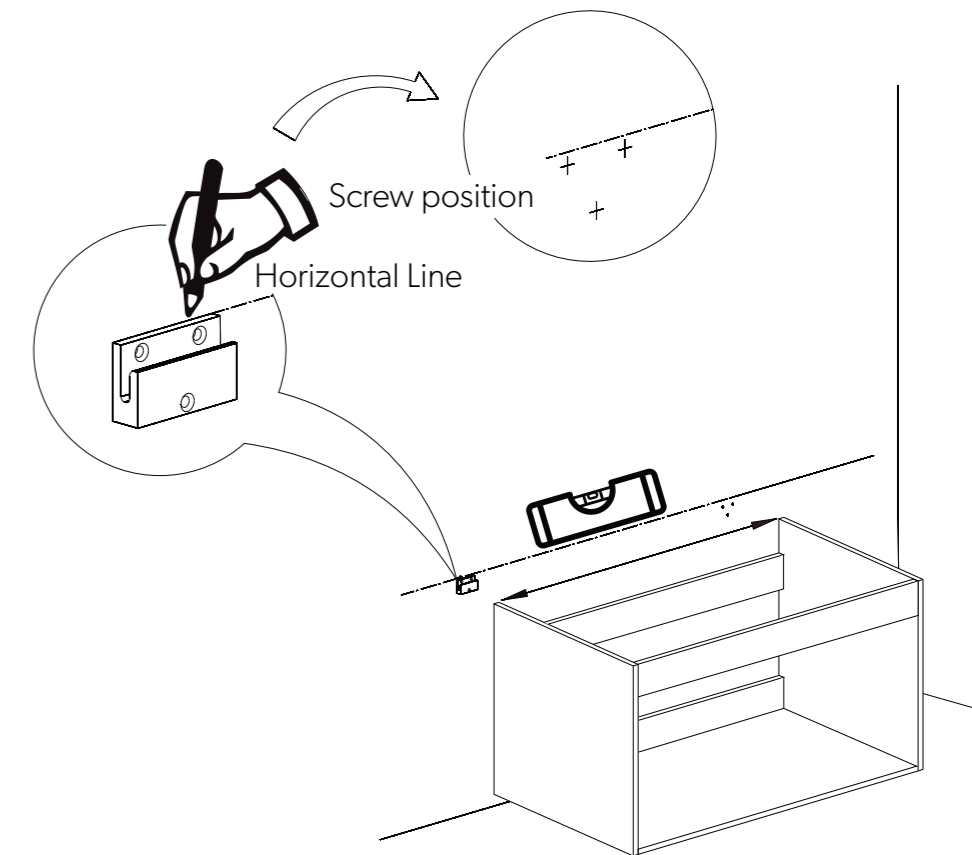
1.



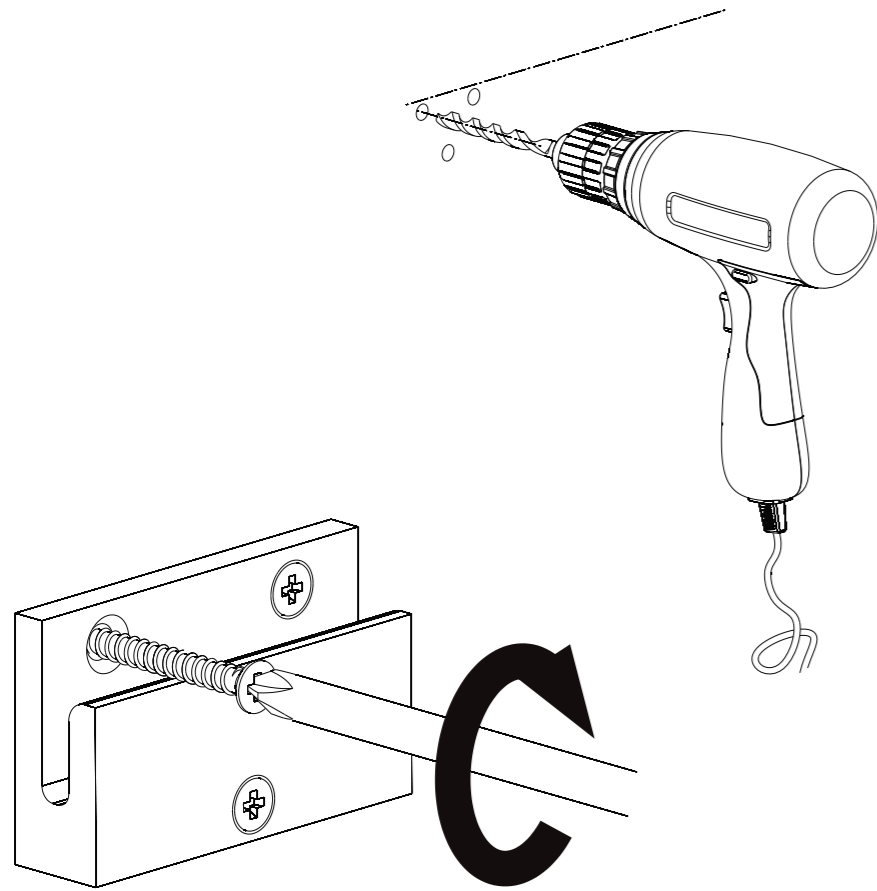
2.



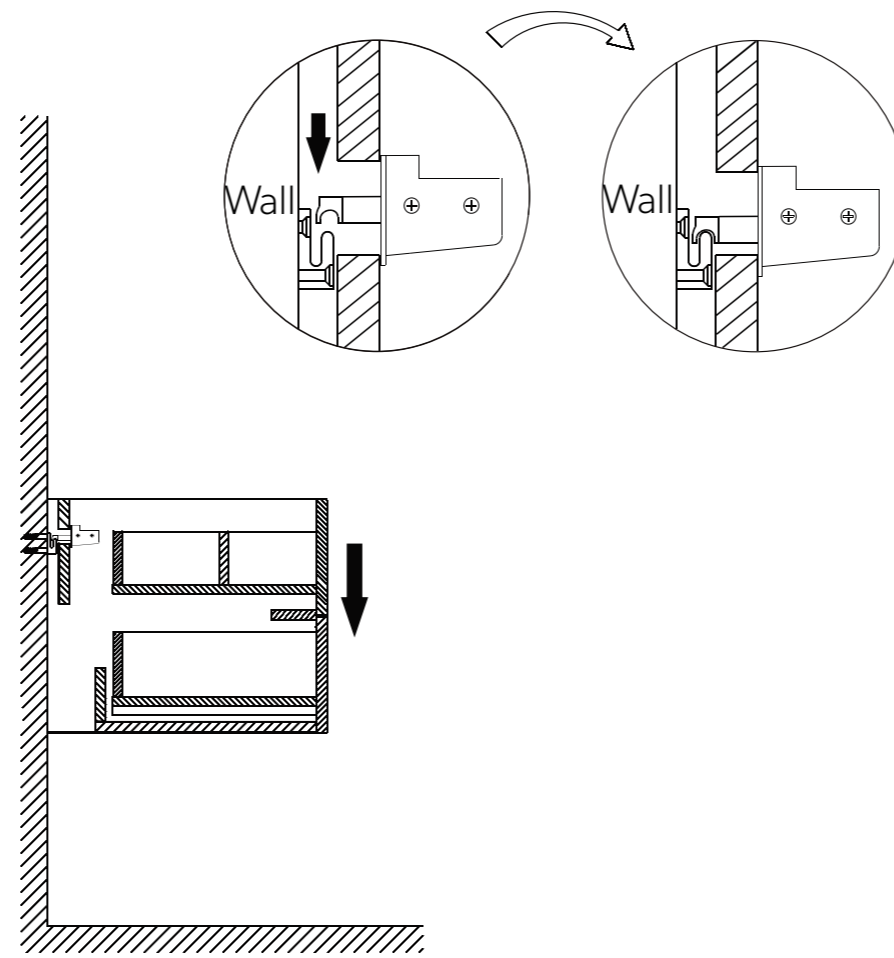
3.



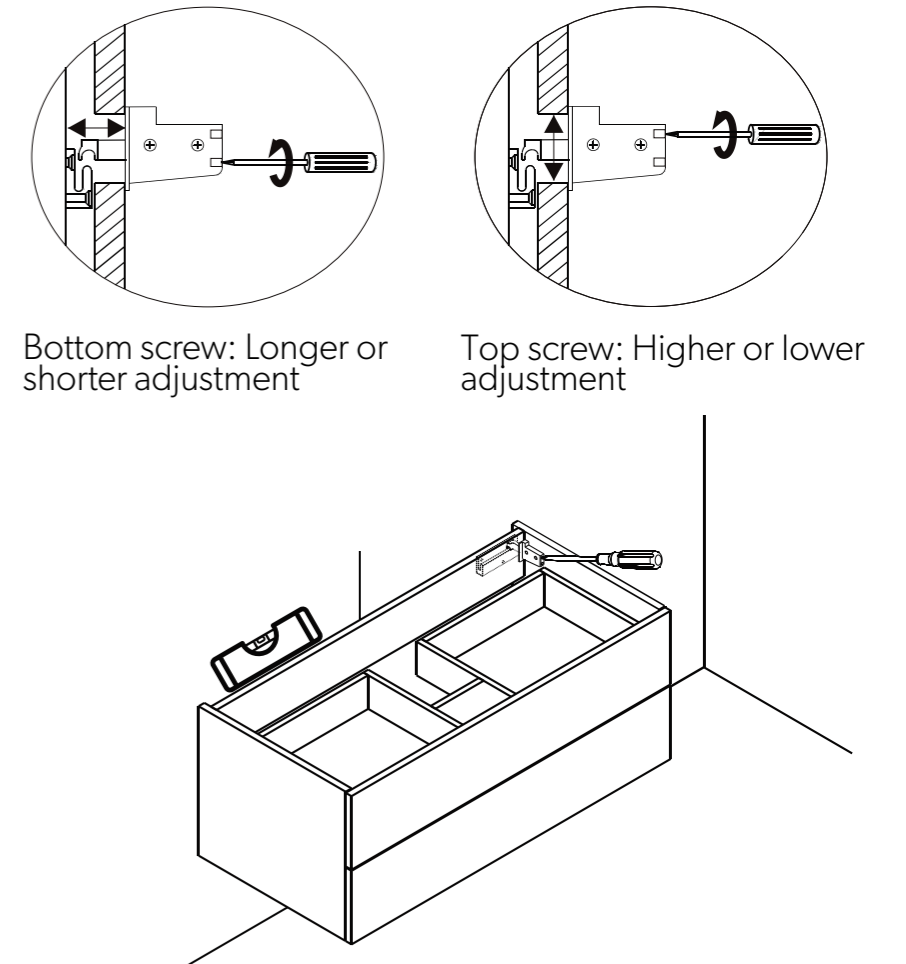
4.



5.



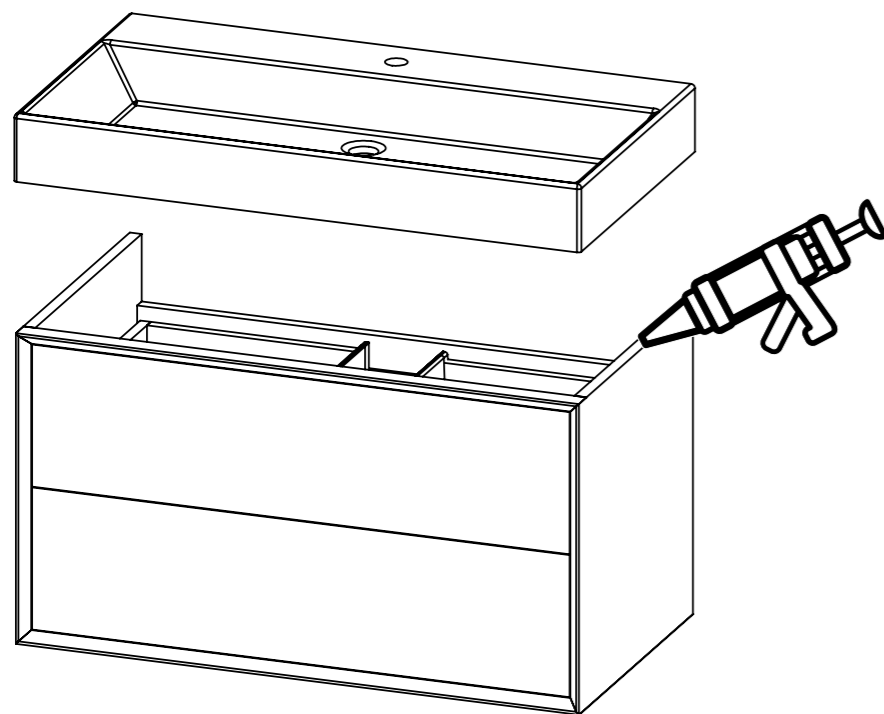
6.



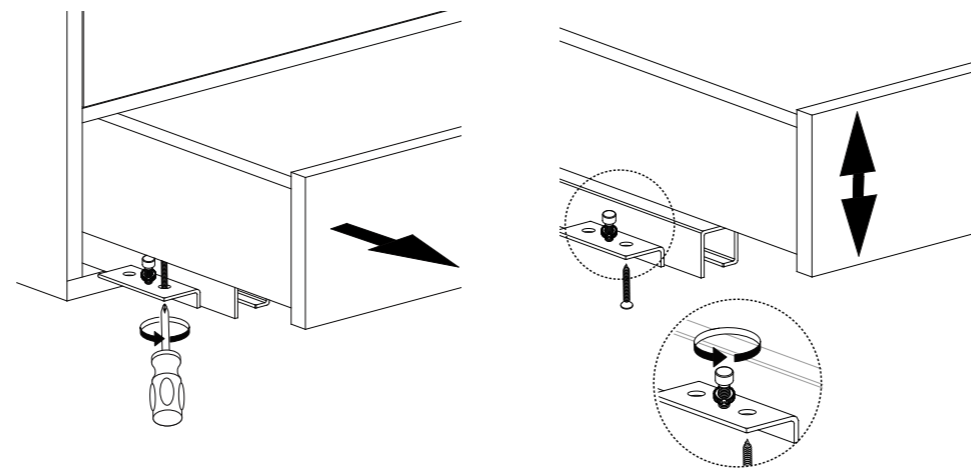
Bottom screw: Longer or shorter adjustment

Top screw: Higher or lower adjustment

7.



8.



Removing:
Open the drawer and remove the retaining screw on the drawer bottom on both sides.

The drawer can now be removed.

Adjusting:
Loosen the retaining screws.
This will allow you to rotate the gromit on both sides of the drawer to adjust the height of the drawer.

When the draws have been adjusted, retighten the retainina screws.

Care Instructions

To preserve the high quality finish of your HiB product, please ensure you regard the following care and cleaing recommendations:

- Use only a soft damp cloth.
- Wipe off all water spillages as soon as possible.
- **Do not use** any abrasives or solvents

Aftercare

In the unlikely event that this product should fail please contact the retailer from which the item was purchased.