

VELES FLOOR STANDING

38 x 50cm Sage Green: Art No N21FS38X50SGR

38 x 50cm Matt White: Art No N21FS38X50MWH

38 x 50cm Dusky Blue: Art No N21FS38X50DBL

38 x 50cm Light Oak: Art No N21FS38X50LOA

38 x 60cm Sage Green: Art No N21FS38X60SGR

38 x 60cm Matt White: Art No N21FS38X60MWH

38 x 60cm Dusky Blue: Art No N21FS38X60DBL

38 x 60cm Light Oak: Art No N21FS38X60LOA

45 x 60cm Sage Green: Art No N21FS45X60SGR

45 x 60cm Matt White: Art No N21FS45X60MWH

45 x 60cm Dusky Blue: Art No N21FS45X60DBL

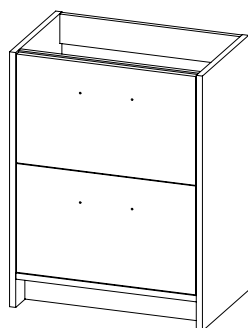
45 x 60cm Light Oak: Art No N21FS45X60LOA

45 x 85cm Sage Green: Art No N21FS45X85SGR

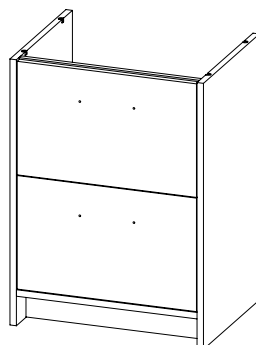
45 x 85cm Matt White: Art No N21FS45X85MWH

45 x 85cm Dusky Blue: Art No N21FS45X85DBL

45 x 85cm Light Oak: Art No N21FS45X85LOA



**Veles Compact
Floor Standing**



**Veles Full Projection
Floor Standing**

Thank you for purchasing this HiB product.

Please read through these instructions carefully and refer back to them during installation to ensure that your product is fitted safely and that it retains its high quality finish.

Warnings for Safe Use

- Please read the instructions and warnings carefully before installing the product and ensure this document is kept with the product for future reference to ensure product longevity and in the interest of safety.
- This product is intended for domestic use only.
- Not for use in saunas, steam rooms.
- It is recommended that this product is installed by 2 people who are able to meet the level of competence required in order to comply with relevant regulations.
- This product is designed for installation into a brick or masonry block wall. If mounting onto other substrate, ensure appropriate fixing and batons are used (if required) and the load bearing of the wall is sufficient.
- When drilling use appropriate eye protection.
- Take care when using power tools near water - the use of a residual current device (RCD) is advised.
- Beware of hidden cables or pipes. Take care if drilling on tiled surfaces in case the drill slips.
- Do not overload shelves or unit.
- Do not sit or stand on the unit.
- Ensure that excessive standing and surface water is removed from the product to avoid long term damage and spoiling.



Review the condition of the wall prior to commencing installation, taking note of any deviation or if the wall is out of level.

Wall deviation may impact the fitting of the furniture and must be considered during the installation process with the use of packers and shims where necessary.

If this is not considered, difficulty with door and panel alignment may be encountered.

What's in the Box?

- Veles Unit
- Fitting pack

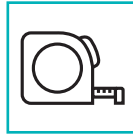
Tools Required



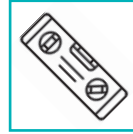
Screwdriver



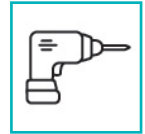
Pencil



Tape
Measure



Spirit Level



Drill



Suitable
Drill Bit



Silicone

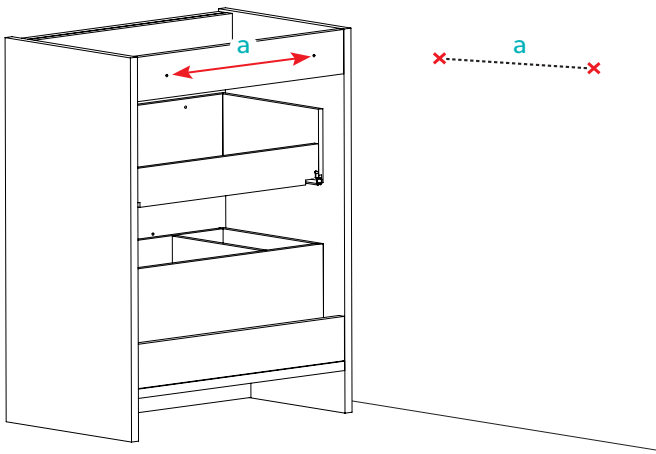


Fig. 1

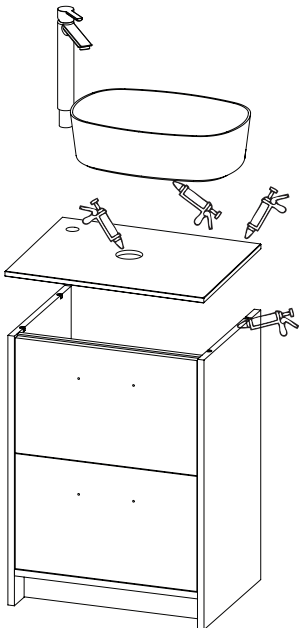


Fig. 2

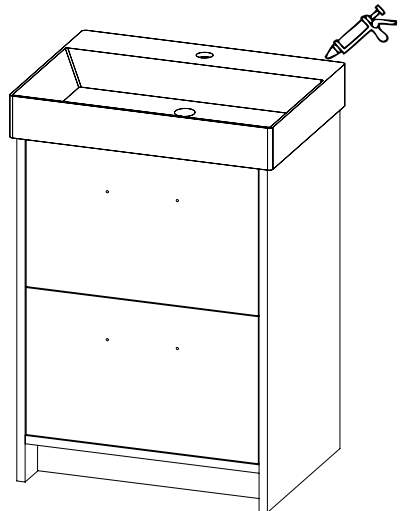


Fig. 3

Installation

1. Plan the position of the unit on the wall.
2. Mark the drill location onto the wall through the pre-drilled holes in the rear cross rail of the unit. *See Fig. 1.*
3. Drill holes in wall and fix the unit into position with suitable fixings.
4. **This step applies to full projection units only (45cm depth).** For countertops, turn adjusters clockwise until they are as low as possible (*Fig. 6, overleaf*). For furniture basins, turn adjusters anti-clockwise to raise the basin above the unit. Adjust until level.
5. Silicone along the top edge of the unit and fit basin/countertop on top.
6. Silicone along back edge of basin/countertop and along the back of the unit and wall as per *Fig. 3*. Allow to set fully.
7. Fix basin and tap in place and finalise water and waste connections.
8. Secure handle in place using the predrilled holes in the drawer fronts.

Drawer Adjustment

To adjust the pitch of the drawer:

Locate and remove the securing screws on the underside of the drawer, *see Fig. 4*. Turning the adjuster wheel will alter the pitch of the drawer front, *see Fig. 5*. When adjustment is complete, re-insert the securing screws.

To adjust the alignment of the drawer front panel:

The drawer front is held in place with adjustable fixings. To adjust the drawer front alignment, these fixings can be loosened slightly which will allow the drawer front to move up, down and side to side, *see Fig. 7*.

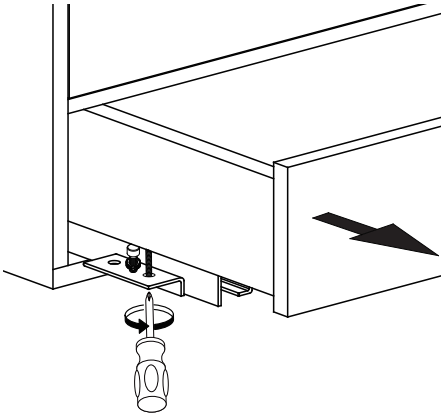


Fig. 4 - Drawer Removal

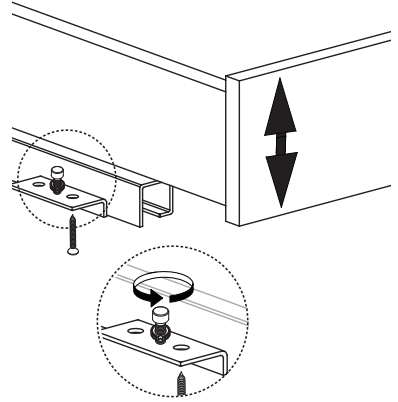


Fig. 5 - Drawer Adjustment

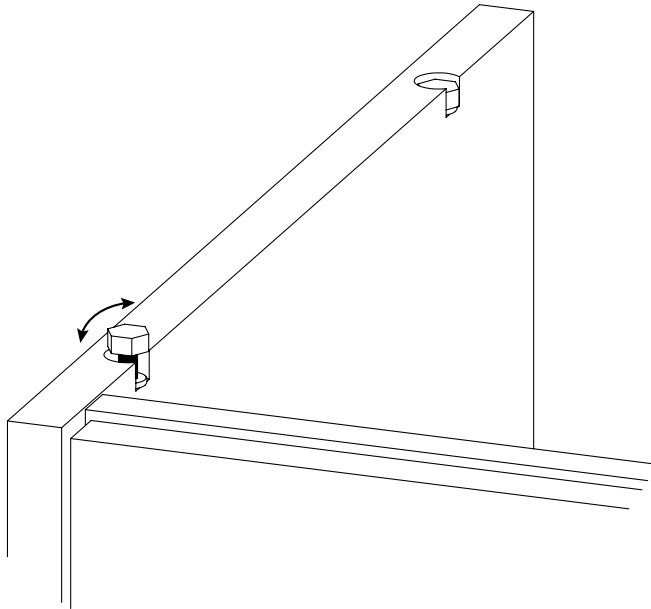
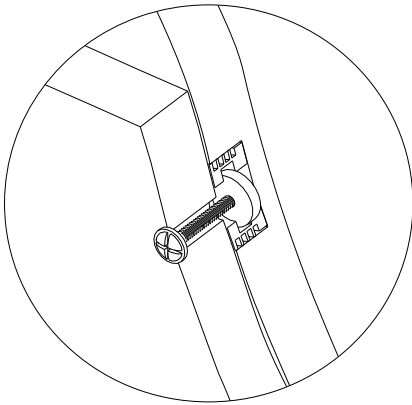


Fig. 6 - Basin/Countertop Adjustment



Adjustment fixings

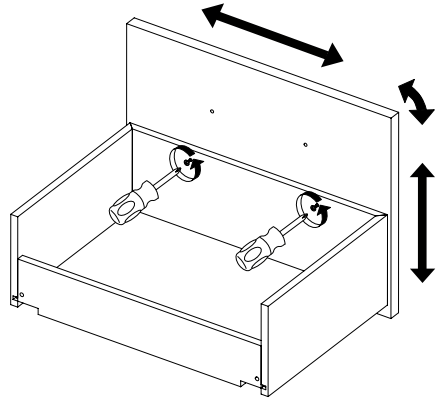


Fig. 7 - Drawer Front Adjustment

Care

To preserve the high quality finish of your HiB product, please ensure you regard the following care and cleaning recommendations:

- Use only a soft damp cloth.
- Wipe off all water spillages as soon as possible.
- **Do not use** any abrasives or solvents.

Aftercare

In the unlikely event that this product should fail please contact the retailer from which the item was purchased.

T: +44 (0)20 8441 0352 F: +44 (0)20 8441 0219 E: sales@hib.co.uk hib.co.uk

Building 3, North London Business Park, Oakleigh Road South, New Southgate, London. N11 1GN

©HIB Copyright: No part of this document may be reprinted or duplicated without HIB consent. All sizes and measurements are approximate, but we do try and make sure they are as accurate as possible. In the interest of continuous product development, HIB reserves the right to alter specifications as necessary. E & OE.