

# HiB

# NOVUM

BATHROOM FURNITURE

## ADORN

60cm Terracotta: Art No N23WH60TER

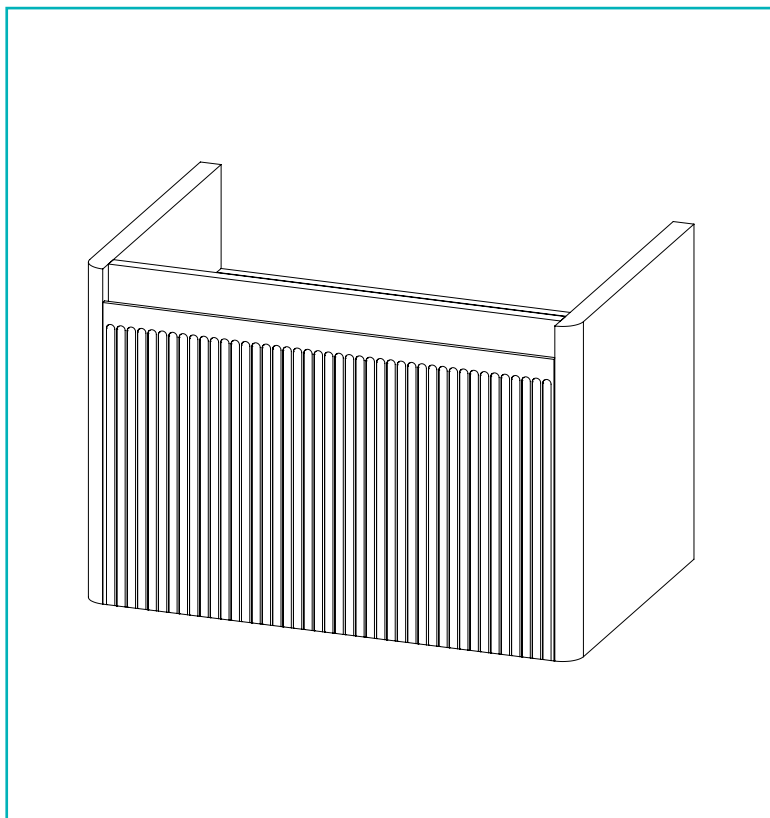
60cm Olive: Art No N23WH60OLV

60cm Mushroom: Art No N23WH60MSH

80cm Terracotta: Art No N23WH80TER

80cm Olive: Art No N23WH80OLV

80cm Mushroom: Art No N23WH80MSH



Thank you for purchasing this HiB product.

Please read through these instructions carefully and refer back to them during installation to ensure that your product is fitted safely and that it retains its high quality finish.

Fitting Instructions

FI #03 029 R240304 Ver 1.0 Apr 2024

## Warnings for Safe Use

- Please read the instructions and warnings carefully before installing the product and ensure this document is kept with the product for future reference to ensure product longevity and in the interest of safety.
- This product is intended for domestic use only.
- Not for use in saunas, steam rooms.
- It is recommended that this product is installed by 2 people who are able to meet the level of competence required in order to comply with relevant regulations.
- This product is designed for installation into a brick or masonry block wall. If mounting onto other substrate, ensure appropriate fixing and batons are used (if required) and the load bearing of the wall is sufficient.
- When drilling use appropriate eye protection.
- Take care when using power tools near water - the use of a residual current device (RCD) is advised.
- Beware of hidden cables or pipes. Take care if drilling on tiled surfaces in case the drill slips.
- Do not overload shelves or unit.
- Do not sit or stand on the unit.
- Ensure that excessive standing and surface water is removed from the product to avoid long term damage and spoiling.



**Review the condition of the wall prior to commencing installation, taking note of any deviation or if the wall is out of level.**

**Wall deviation may impact the fitting of the furniture and must be considered during the installation process with the use of packers and shims where necessary.**

**If this is not considered, difficulty with door and panel alignment may be encountered.**

## What's in the Box?

- Adorn Unit
- Fitting Pack

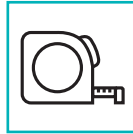
## Tools Required



Screwdriver



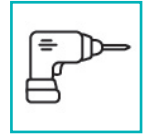
Pencil



Tape  
Measure



Spirit Level



Drill



Suitable  
Drill Bit



Silicone

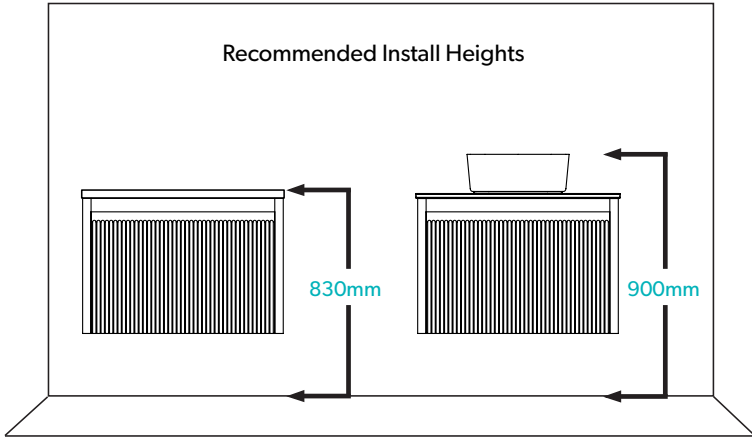


Fig. 1 - Recommended Install Heights

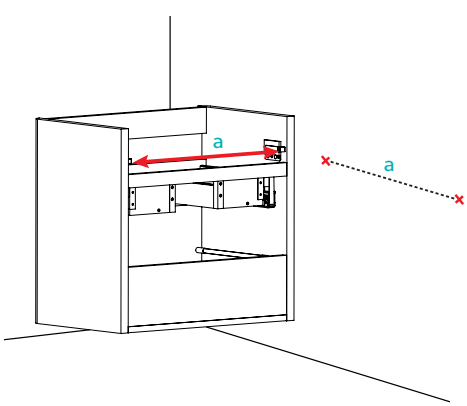


Fig. 2

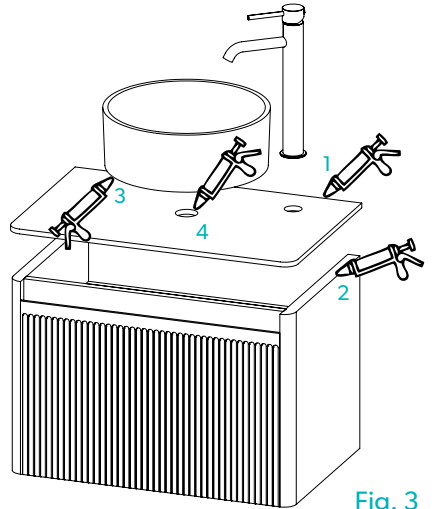


Fig. 3

**Please ensure the wall is suitable for wall hung furniture. For stud wall installations, add an extra timber support into the stud wall prior to finishing the wall to improve strength.**

1. HiB recommends removing the drawers before installation.
2. Plan the unit position on the wall. HiB recommend the installation heights shown in *Fig. 1*.
3. Measure the spacing on the back of the unit, between the two inner sides of the carcass (*Fig. 2*) this is the maximum bracket spacing. Measure the required mounting point height taking into account the basin to be used.
4. Transfer measurements onto wall using a spirit level to ensure they are straight and level and spaced correctly as per *Fig. 2*.
5. Separate the two halves of the hanging bracket (*Fig. 5*). Drill holes for wall brackets and fix into position with suitable fixings.
6. Position the unit(s) onto the wall brackets.
7. Use furniture hangers to adjust alignment of furniture unit(s) (*Fig. 6, screw B, overleaf*), ensuring that they are level.
8. Once the unit is in position, adjust the screw on the furniture hanger (*Fig. 6, Screw A, overleaf*) to bring the furniture tightly against the wall.
9. Silicone along the top edge of the unit and fit basin/countertop on top.
10. Silicone along back edge of basin/countertop and along the back of the unit and wall as per *Fig. 3*. Allow to set fully.
11. Fix basin and tap in place and finalise water and waste connections.
12. Refit the drawers.

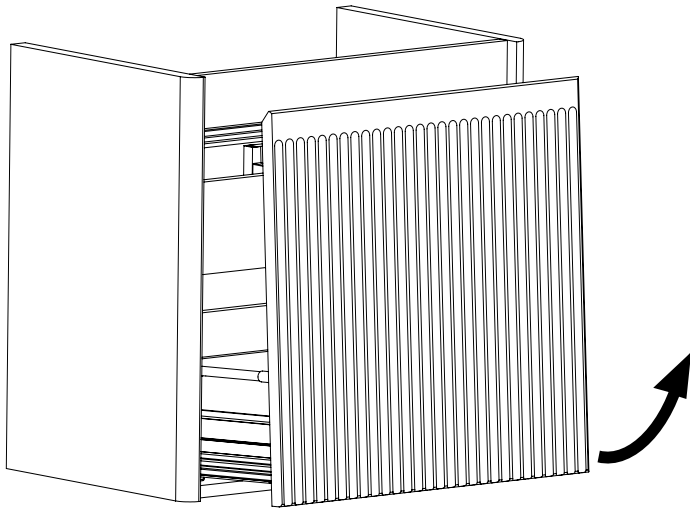


Fig. 4 - Drawer Removal

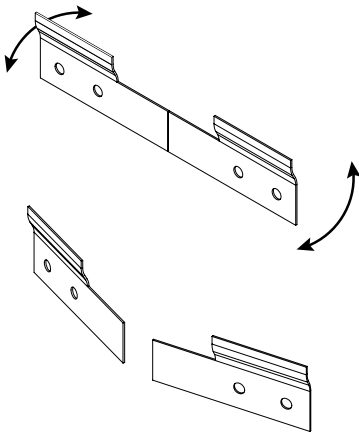


Fig. 5 - Wall Hanger Bracket

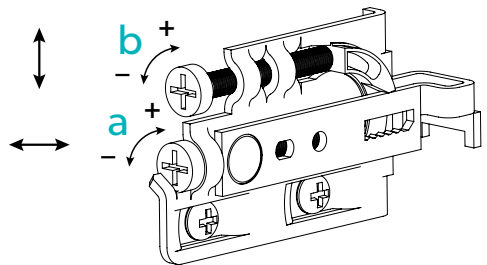


Fig. 6 - Wall Hanger Adjustment

### To adjust the pitch of the drawer front panel:

Locate the upper struts on the sides of the drawers and slide back the plastic covers. Twist the adjustment wheels until the correct pitch is reached, then replace the plastic covers.

### To adjust the alignment of the drawer front panel:

Locate the branded cover plates on the sides of the drawer. Adjust screw **c** to move the the drawer front vertically. Adjust screw **d** to move the drawer front horizontally. Replace the branded cover plates.

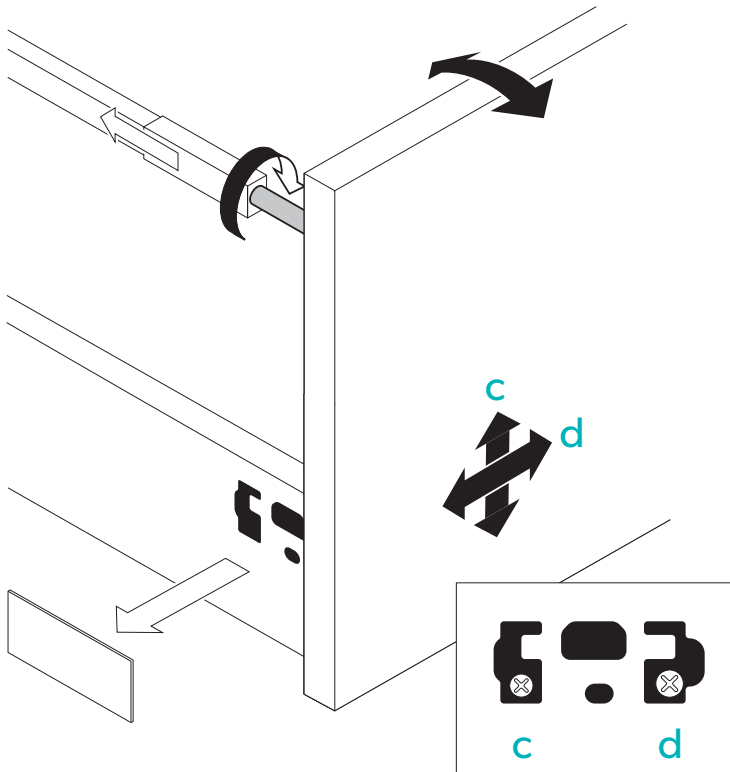


Fig. 7 - Drawer Front Adjustment

## Care

To preserve the high quality finish of your HiB product, please ensure you regard the following care and cleaning recommendations:

- Use only a soft damp cloth.
- Wipe off all water spillages as soon as possible.
- **Do not use** any abrasives or solvents.

## Aftercare

In the unlikely event that this product should fail please contact the retailer from which the item was purchased.

T: +44 (0)20 8441 0352 F: +44 (0)20 8441 0219 E: [sales@hib.co.uk](mailto:sales@hib.co.uk) [hib.co.uk](http://hib.co.uk)

Building 3, North London Business Park, Oakleigh Road South, New Southgate, London. N11 1GN

©HiB Copyright: No part of this document may be reprinted or duplicated without HiB consent. All sizes and measurements are approximate, but we do try and make sure they are as accurate as possible. In the interest of continuous product development, HiB reserves the right to alter specifications as necessary. E & OE.