

Tranquil Floor Standing

Thank you for purchasing this Novum product.

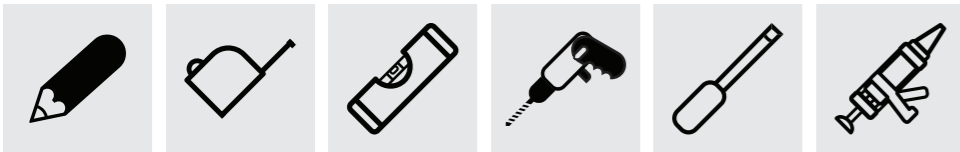
Please read through these instructions carefully and refer back to them during installation to ensure that your product is fitted safely and that it retains its high quality finish.

Please retain this leaflet for future reference.

Before drilling, ensure there are no hidden cables or pipes in the wall.

Tools Required for Installation

- | | |
|-------------------------|--------------------------------|
| 1. Pencil | 4. Drill & Suitable Drill Bits |
| 2. Tape Measure / Ruler | 5. Screw Driver |
| 3. Level | 6. Silicone |

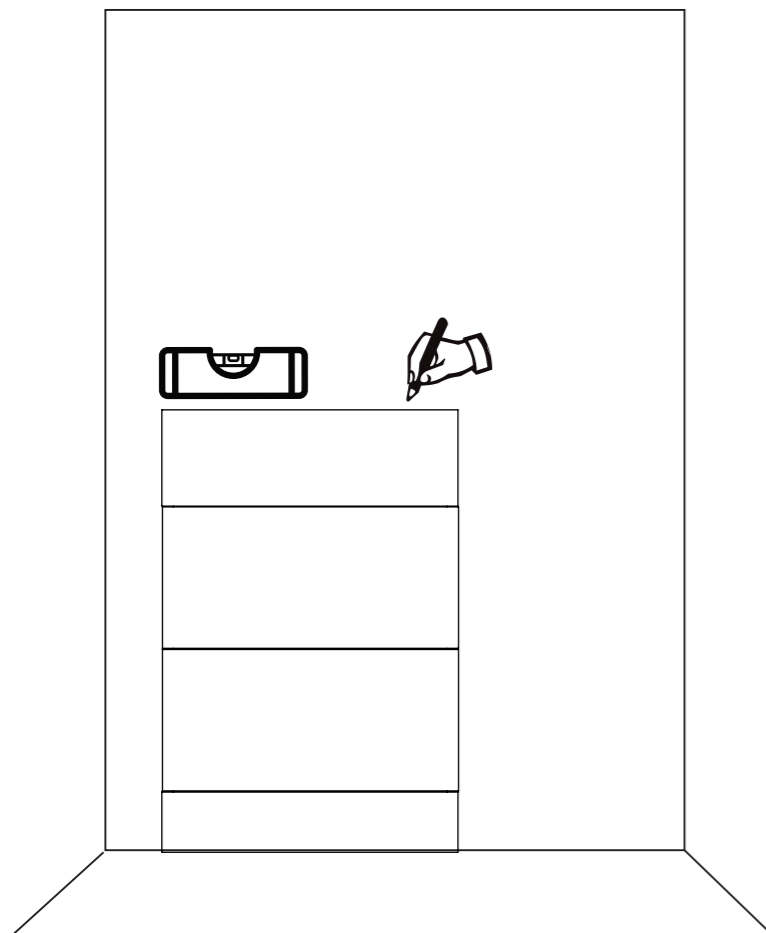


Installation

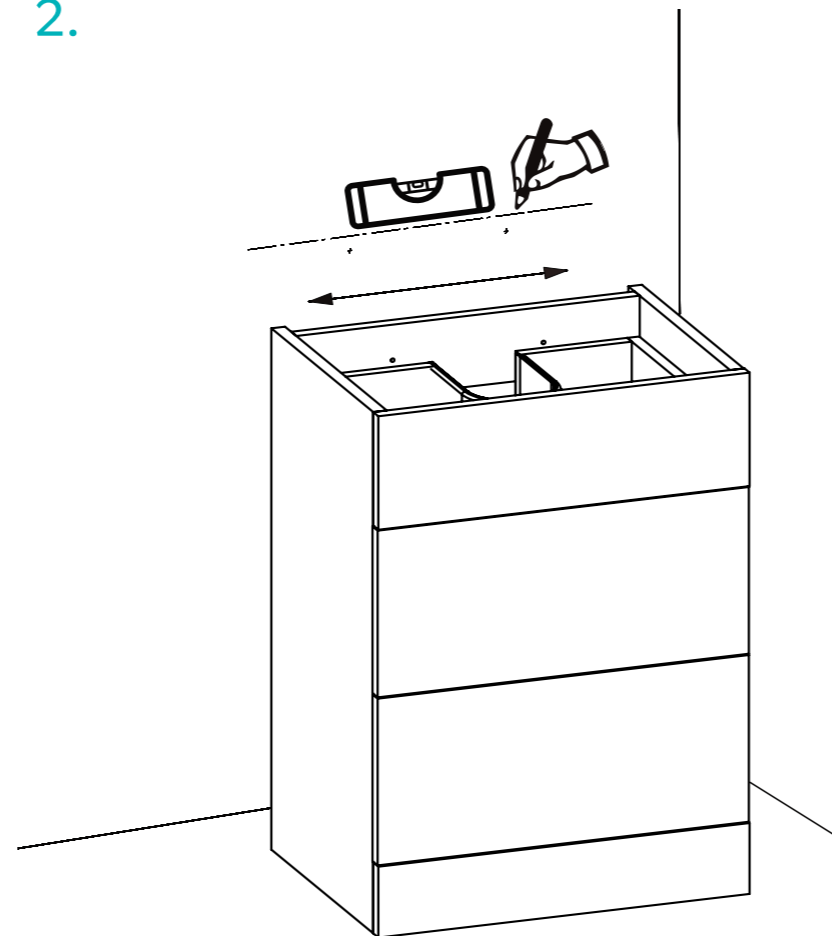
HiB recommends removing the drawers prior to installation, see Step 7.

1. Position the unit in a suitable location. Carefully mark the desired position of the unit using a soft pencil and a spirit level ensuring it is straight.
2. Mark the drill location onto the wall through the pre-drilled holes in the rear cross rail of the unit.
3. **Before drilling, ensure there are no hidden cables or pipes behind the mounting points.** Using a suitable drill bit, drill holes in the marked positions to a suitable depth. Insert wall plugs level with the surface of the wall. If fitting to a tiled surface, wall plugs should be inserted below the tile surface to avoid cracking. **NB. For plasterboard walls, specialist heavy duty fixings should be purchased from any DIY or hardware store.**
4. Fix the unit into position using suitable fixings.
5. Silicone along the top edge of the unit and fit basin/countertop on top.
6. Silicone along back edge of basin/countertop and along the back of the unit and wall. Allow to set fully.
7. Fix tap in place and finalise water and waste connections. If necessary, the drawers can be adjusted in order to fine tune their alignment, see Step 7.

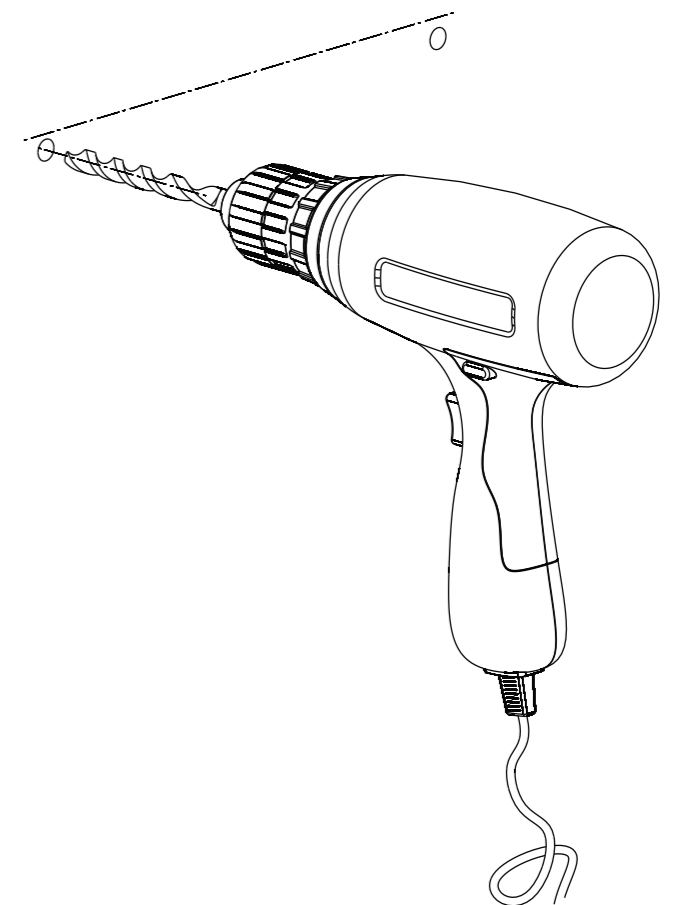
1.



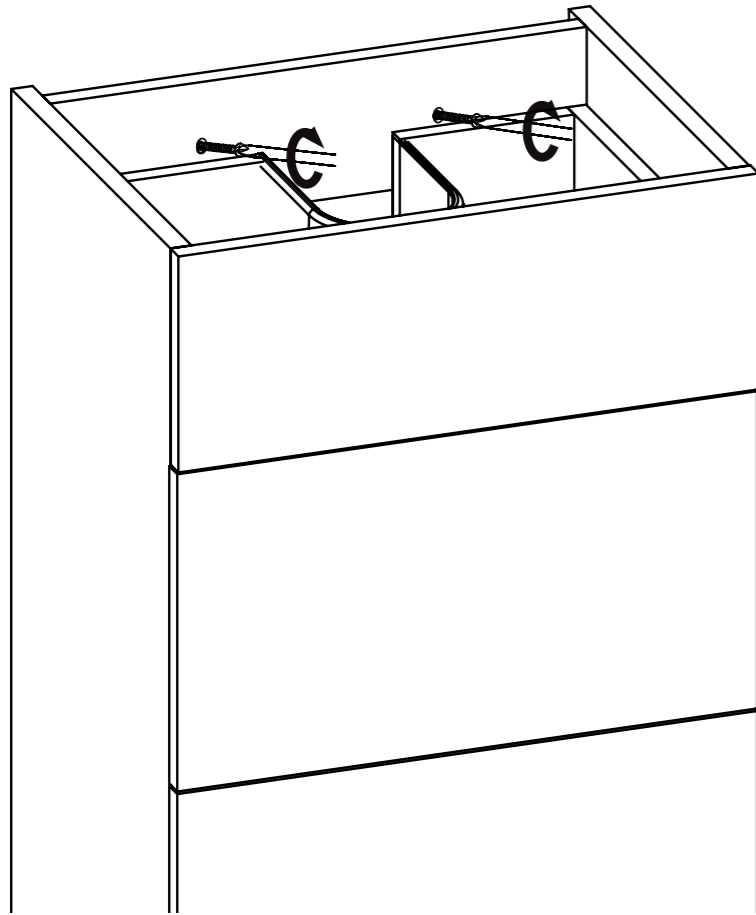
2.



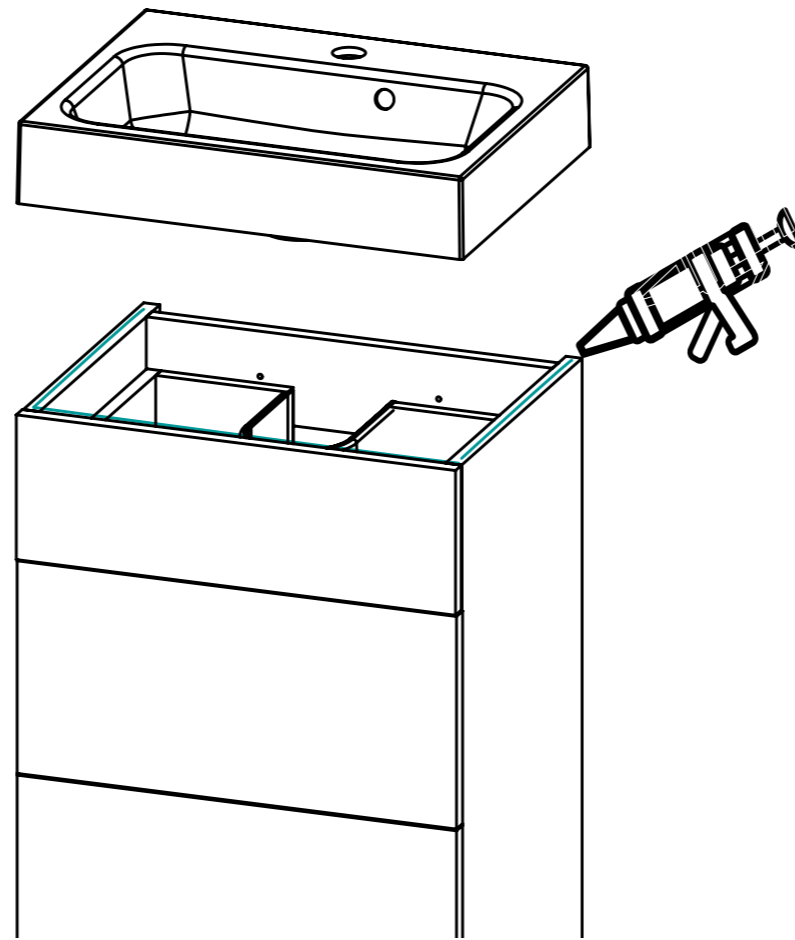
3.



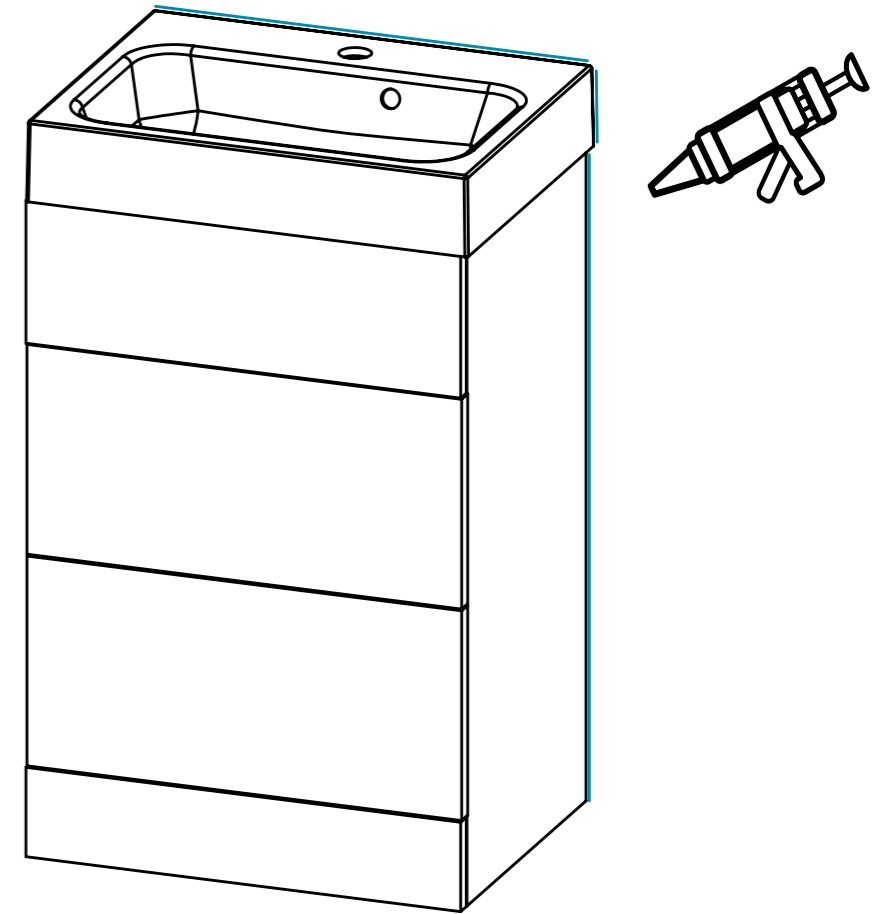
4.



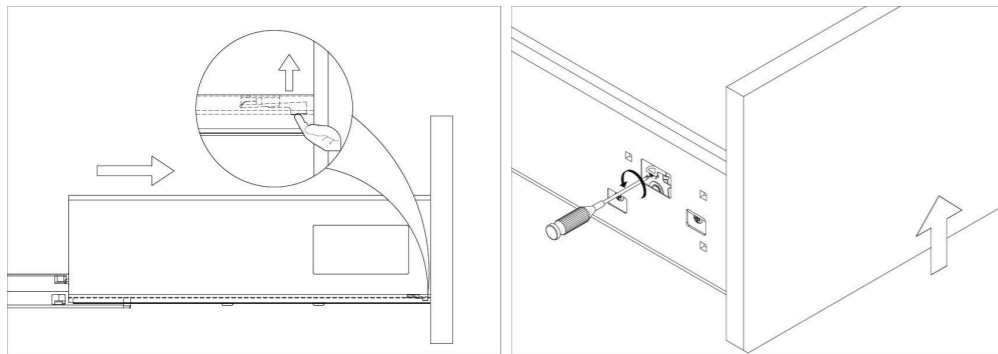
5.



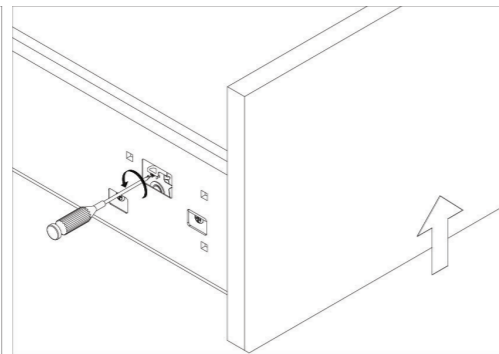
6.



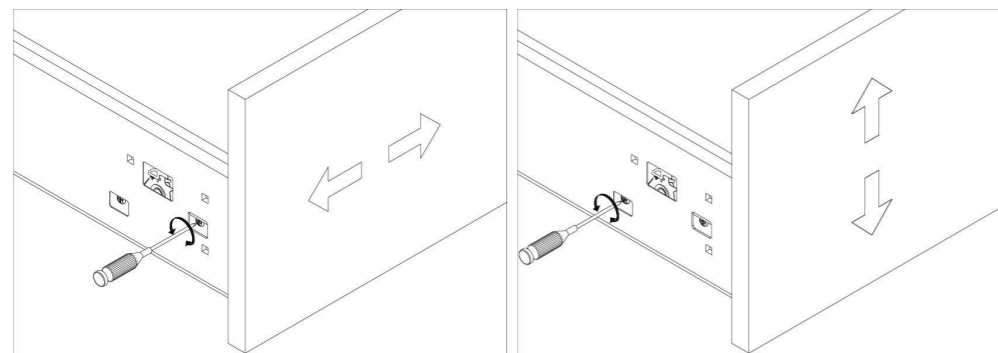
7.



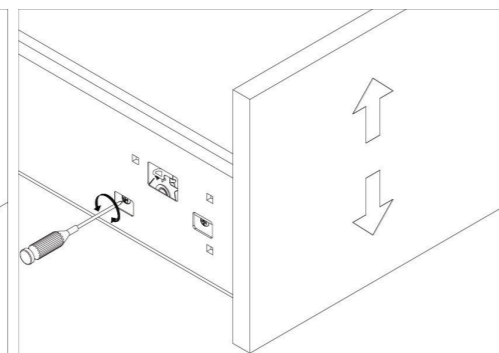
Removing Drawer



Removing Drawer Front



Adjusting the Drawer

**Care Instructions**

To preserve the high quality finish of your HiB product, please ensure you regard the following care and cleaing recommendations:

- Use only a soft damp cloth.
- Wipe off all water spillages as soon as possible.
- **Do not use** any abrasives or solvents

Aftercare

In the unlikely event that this product should fail please contact the retailer from which the item was purchased.