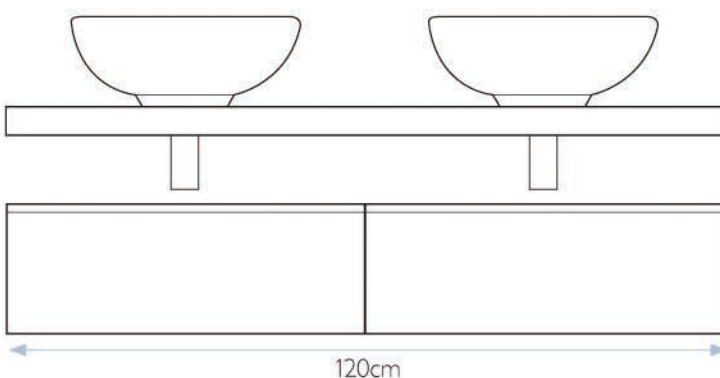
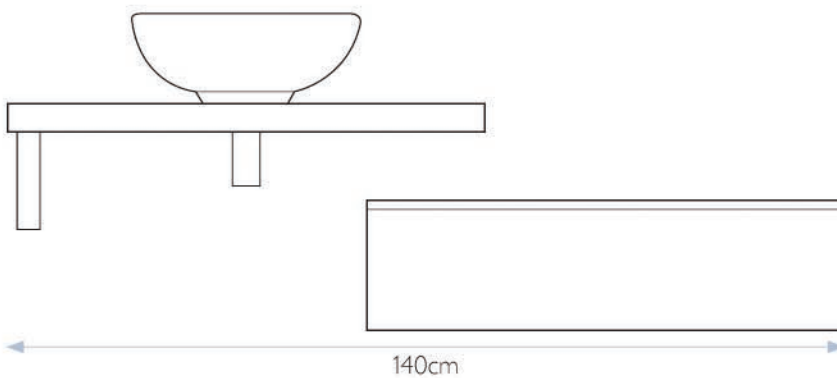
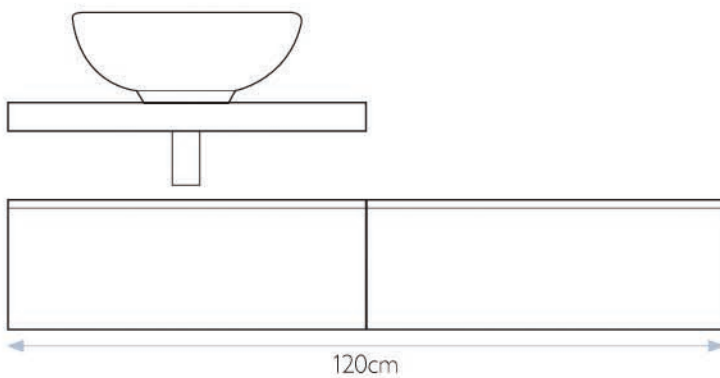
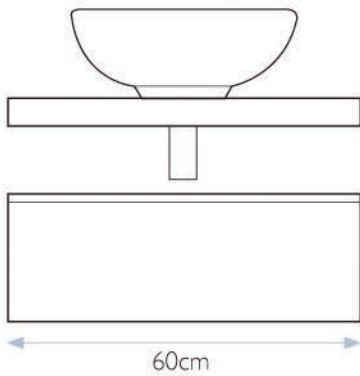


With **Blend** the number of configurations is only limited by your imagination. Below you can find examples to inspire you.



## Creativity in **your** hands...

The layout of your bathroom has a huge impact on whether or not your design is a success. **Blend** offers the ability to really personalise your bathroom composition to suit you – a symmetrical setting is simple and pleasing to the eye, whereas an offset configuration can bring added interest and the opportunity to balance the composition with other elements such as a mirror.



Three distinct finishes gives you the opportunity to make your bathroom personal to you. Mix and match between Matt White, Greystone and Sherwood Oak finishes or coordinate with a colour-matched combination. Additional personal touches such as the optional black framed Basin Shelf Wall Bracket, which can be used as a practical towel rail, or the choice in complementary brassware can easily craft a boutique hotel feel.

