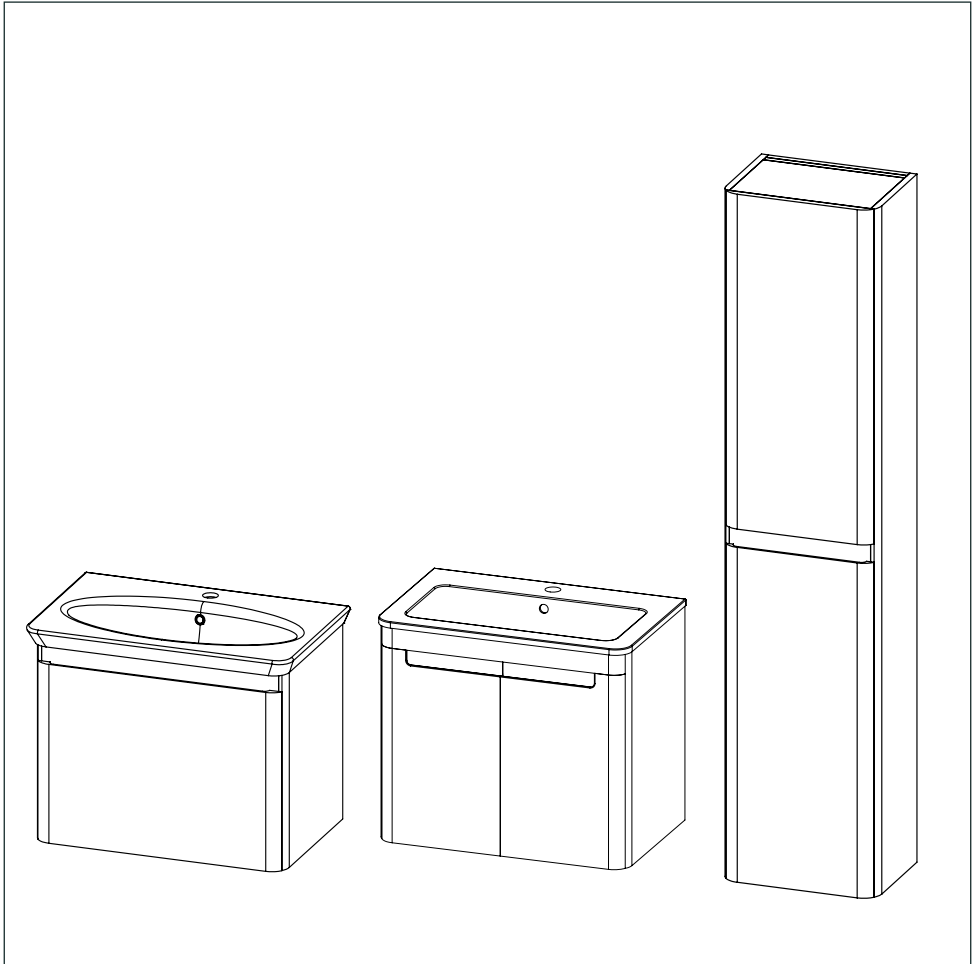


HiB

NOVUM
BATHROOM FURNITURE

Camber & Reveal Ranges



Thank you for purchasing this HiB Novum product.

Please read through these instructions carefully and refer back to them during installation to ensure that your product is fitted safely and that it retains its high quality finish.

Please retain this leaflet for future reference.

Before drilling, ensure there are no hidden cables or pipes in the wall.

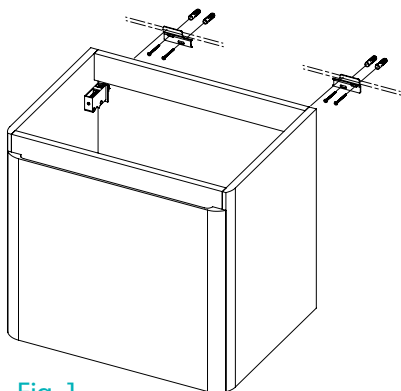


Fig. 1

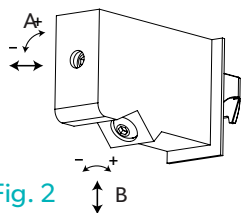


Fig. 2

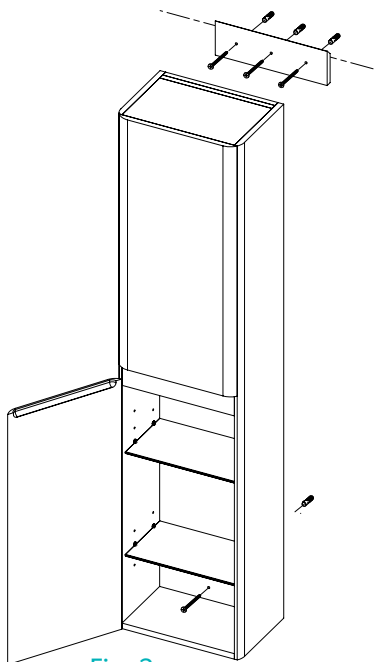


Fig. 3

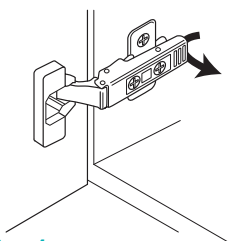


Fig. 4

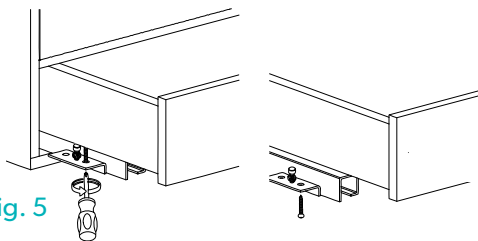


Fig. 5

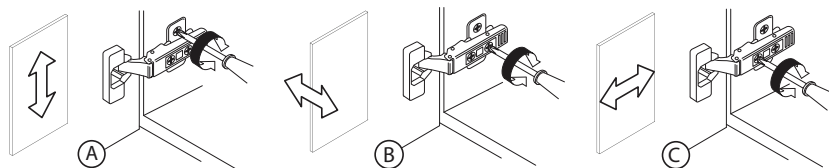


Fig. 6

Vanity Units

1. Position the unit in a suitable location. Carefully mark the desired position of the unit using a soft pencil.
2. Using a spirit level, mark a horizontal line below the pencil mark, taking into account the location of the furniture hangers. Place brackets on the pencil line paying attention to the distance between the furniture hangers. Carefully mark the position of the holes using a soft pencil. (Fig. 1).
- 3. Before drilling, ensure there are no hidden cables or pipes behind the mounting points.**
Using a suitable drill bit, drill holes in the marked positions to a suitable depth.
4. Insert wall plugs level with the surface of the wall. If fitting to a tiled surface, wall plugs should be inserted below the tile surface to avoid cracking. **NB. For plasterboard walls, specialist heavy duty fixings should be purchased from any DIY or hardware store.**
5. Fix the brackets to the wall using the screws provided (Fig. 1).
6. Hang the furniture unit, ensuring the claws on the hangers are securely located on the wall brackets. Using a spirit level, make the unit level by adjusting screw B on the hangers (Fig. 2). Once straight, tighten screw A until the unit is secure against the wall.
7. If necessary, the drawer runners and door fronts can be adjusted in order to fine tune their alignment. Ensure the securing screw on the underside of the drawer runner is removed before adjusting the drawer runner and the screw is resecured when adjustments have been completed. (Fig. 5). For door fronts, fine adjustments can be made to the door by adjusting the small screws as per Fig. 6.
8. Mount the basin onto the furniture unit using a fine bead of silicone to seal the washbasin to the unit and wall edges.

Tall Units

- 1. Please note that the tall units can be mounted as both right hand and left hand door opening.**
2. Position the unit in a suitable location. Carefully mark the desired position of the unit using a soft pencil.
3. Using a spirit level, mark a horizontal line below the pencil mark, taking into account the location of the French cleat furniture hanger. Place French cleat against the wall, on the pencil line and carefully mark the position of the holes using a soft pencil. (Fig. 3).
- 4. Before drilling, ensure there are no hidden cables or pipes behind the mounting points.**
Using a suitable drill bit, drill holes in the marked positions to a suitable depth.
5. Insert wall plugs level with the surface of the wall. If fitting to a tiled surface, wall plugs should be inserted below the tile surface to avoid cracking. **NB. For plasterboard walls, specialist heavy duty fixings should be purchased from any DIY or hardware store.**
6. Fix the French cleat to the wall using the screws provided (Fig. 3).
7. In order to secure the bottom of the tall unit to the wall, a small screw hole will need to be drilled through the back board of the unit. It is recommended that this is drilled through the centre of the bottom, fixed French cleat.
8. Measure the location of the centre of the bottom fixed French cleat. Transfer this measurement to the inside of the unit and drill a small hole right through.
9. Hang the tall unit onto the French cleat, ensuring that it is securely seated.
10. Mark the position of the screw hole onto the wall. remove the unit and using a suitable drill bit, drill a hole in the marked position to a suitable depth, then insert the wall plug as per step 5 above (See Fig. 3).
11. Hang the unit back onto the wall and fix the supplied screw and cover cap into the screw hole at the bottom of the unit - ensure that the screw grips into the wall plug in the wall.
12. If necessary, the door(s) can be adjusted to align them with the tall unit carcass. This is done by adjusting the small screws on the hinges (see Fig. 6).

Cleaning

To preserve the high quality finish of your HiB Novum product, please ensure you regard the following care and cleaning recommendations:

- Use only a soft damp cloth.
- Wipe off all water spillages as soon as possible
- DO NOT USE any abrasives or solvents.

Aftercare Service

In the unlikely event that this product should fail please contact In the unlikely event that this product should fail please contact the retailer from which the item was purchased.

T: +44 (0)20 8441 0352 **F:** +44 (0)20 8441 0219 **E:** sales@hib.co.uk hibnovum.co.uk
Building 3, North London Business Park, Oakleigh Road South, New Southgate, London. N11 1GN

©HiB Copyright: No part of this document may be reprinted or duplicated without HiB consent. All sizes and measurements are approximate, but we do try and make sure they are as accurate as possible. In the interest of continuous product development, HiB reserves the right to alter specifications as necessary. E & OE.