

# HiB

# NOVUM

BATHROOM FURNITURE

## FABRICA WALL HUNG

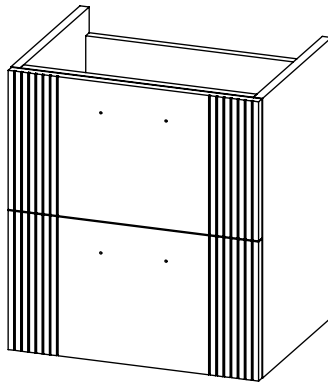
50cm Midnight Blue: Art No N19WH50MBL / 50cm Carbon Grey: Art No N19WH50CGR

50cm Dark Emerald: Art No N19WH50DEM

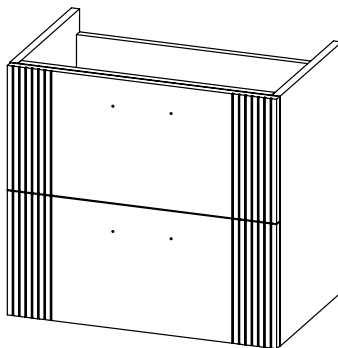
60cm Midnight Blue: Art No N19WH60MBL / 60cm Carbon Grey: Art No N19WH60CGR

60cm Dark Emerald: Art No N19WH60DEM

### Fabrica 50cm Wall Hung



### Fabrica 60cm Wall Hung



Thank you for purchasing this HiB product.

Please read through these instructions carefully and refer back to them during installation to ensure that your product is fitted safely and that it retains its high quality finish.

Fitting Instructions

## Warnings for Safe Use

- Please read the instructions and warnings carefully before installing the product and ensure this document is kept with the product for future reference to ensure product longevity and in the interest of safety.
- This product is intended for domestic use only.
- Not for use in saunas, steam rooms.
- It is recommended that this product is installed by 2 people who are able to meet the level of competence required in order to comply with relevant regulations.
- This product is designed for installation into a brick or masonry block wall. If mounting onto other substrate, ensure appropriate fixing and batons are used (if required) and the load bearing of the wall is sufficient.
- When drilling use appropriate eye protection.
- Take care when using power tools near water - the use of a residual current device (RCD) is advised.
- Beware of hidden cables or pipes. Take care if drilling on tiled surfaces in case the drill slips.
- Do not overload shelves or unit.
- Do not sit or stand on the unit.
- Ensure that excessive standing and surface water is removed from the product to avoid long term damage and spoiling.

## What's in the Box?

- Fabrica Unit
- Fitting Pack
- Connecting bolts

## Tools Required



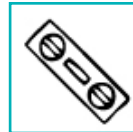
Screwdriver



Pencil



Tape  
Measure



Spirit Level



Drill



Speed  
Clamps



Suitable  
Drill Bit

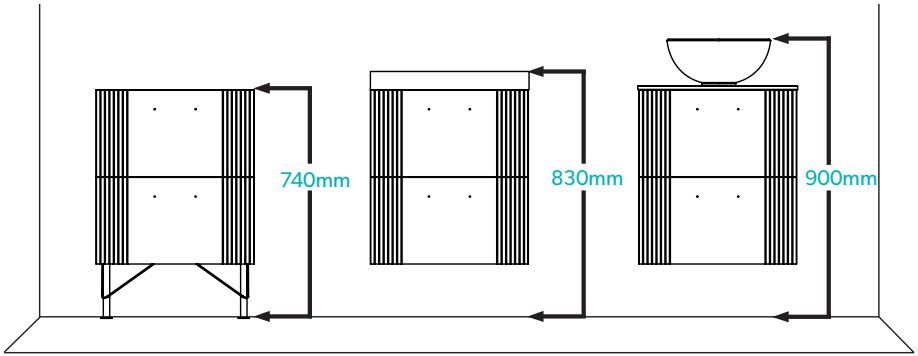


Fig. 1 - Recommended Install Heights

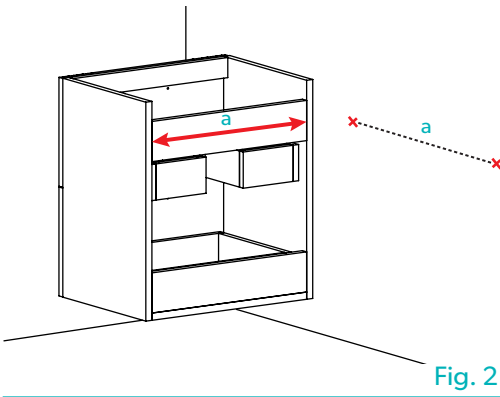


Fig. 2

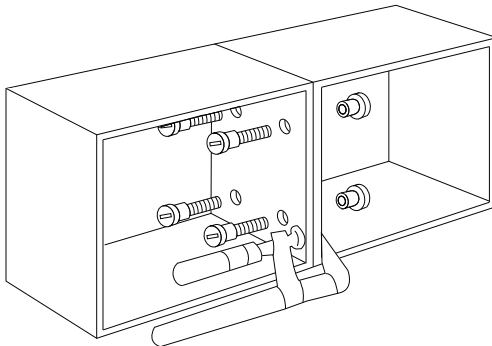


Fig. 3

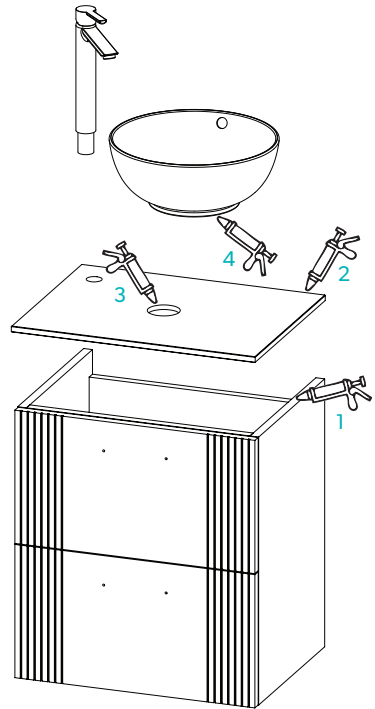


Fig. 4

**Please ensure the wall is suitable for wall hung furniture. For stud wall installations, add an extra timber support into the stud wall prior to finishing the wall to improve strength.**

1. HiB recommends removing the drawers prior to installation. *See Fig. 5., overleaf.*
2. Plan the unit position on the wall. HiB recommend the installation heights shown in *Fig. 1.* Take note of the height of the optional leg kit if it is being installed.
3. If the optional leg kit is to be installed, turn the unit upside down on a soft surface. Establish the leg position. Pilot drill and screw the legs into place with the supplied screws.
4. Measure the spacing on the back of the unit, between the two inner sides of the carcass (*Fig. 2, A*) this is the maximum bracket spacing. Measure the required mounting point height taking into account the basin to be used and if leg kit is being installed.
5. Transfer measurements onto wall using a spirit level to ensure they are straight and level and spaced correctly *as per Fig. 2.*
6. Drill holes for wall brackets and fix into position with suitable fixings.
7. Position the unit(s) onto the wall brackets.
8. Use furniture hangers to adjust alignment of furniture unit(s) (*Fig. 7, screw B, overleaf*), ensuring that they are level.
9. If installing multiple units side by side, once they are both in the correct position, clamp them together using speed clamps and fix together using the fixings provided, *as per Fig. 3.*
10. Once the unit(s) are in position, adjust the screw on the furniture hanger (*Fig. 7, Screw A, overleaf*) to bring the furniture tightly against the wall.
11. Silicone along the top edge of the unit and fit basin/countertop on top. Silicone along back edge of basin/countertop and along the back of the unit and wall as per *Fig. 4.* Allow to set fully.
12. Fix basin and tap in place and finalise water and waste connections.
13. Refit the drawers and secure handle in place, using the predrilled holes in the drawer fronts.

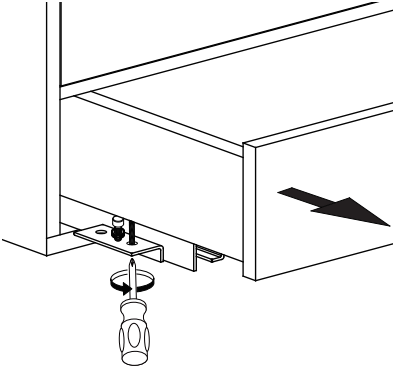


Fig. 5 - Removal

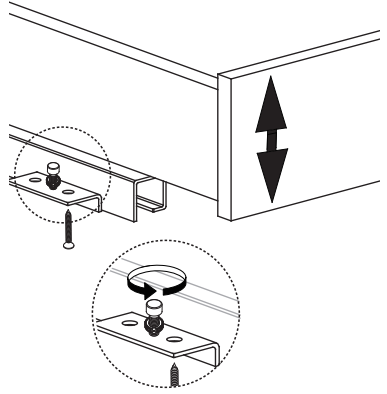


Fig. 6 - Adjustment

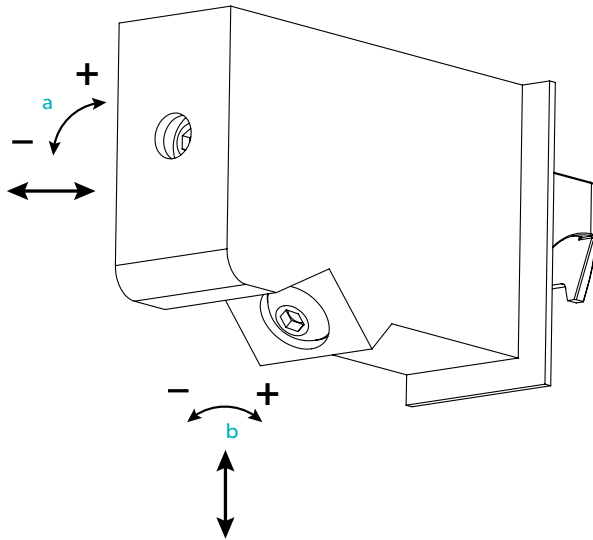


Fig. 7

## Care

To preserve the high quality finish of your HiB product, please ensure you regard the following care and cleaning recommendations:

- Use only a soft damp cloth.
- Wipe off all water spillages as soon as possible.
- **Do not use** any abrasives or solvents.

## Aftercare

In the unlikely event that this product should fail please contact the retailer from which the item was purchased.

T: +44 (0)20 8441 0352 F: +44 (0)20 8441 0219 E: [sales@hib.co.uk](mailto:sales@hib.co.uk) [hib.co.uk](http://hib.co.uk)

Building 3, North London Business Park, Oakleigh Road South, New Southgate, London. N11 1GN

©HIB Copyright: No part of this document may be reprinted or duplicated without HIB consent. All sizes and measurements are approximate, but we do try and make sure they are as accurate as possible. In the interest of continuous product development, HIB reserves the right to alter specifications as necessary. E & OE.